

ATA AIRLINES, INC.

POSTIVE PRESSURE RELIEF VALVE FILTERS

PAGE 1 / 2

CHECK BEING PERFORMED: Custom

ZONES: 153
A/C NUMBER:
REV. DATE: 04/21/99
FREQUENCY: 4C

W/C NUMBER: 212M2104
DATE:
W/O:
JAC CODE:

Table with 3 columns: MFR P/N, DESCRIPTION, QTY. Row 1: 137847-1, FILTER ELEMENT CARTRIDGE, 2

PANELS
1531
822

REFERENCES

1, 2

MECH INSP

CHANGE POSITIVE PRESSURE RELIEF VALVE FILTERS.

1 Replace the Relief Valve Filter (Fig. 1, 2)

A References

- 1 06-46-00/201 Entry, Service and Cargo Door Access Doors and Panels
2 25-50-02/401, Sidewall Lining Panels

B Prepare for the Removal/Installation

- XXXXX 1 Open the aft cargo door, 822 (Ref 06-46-00).
XXXXX 2 Remove the left sidewall lining that is 6 feet aft of the forward bulkhead of the aft cargo compartment. (Ref 25-50-02)
XXXXX 3 Remove the duct(s) necessary to get access to the relief valve filters.

C Remove the relief valve filters.

- XXXXX 1 Pull the filter cover off of the relief valve.
XXXXX 2 Pull the filter out of the valve.

D Install the relief valve filter.

- XXXXX 1 Put the filter into the relief valve.
XXXXX 2 Push the filter cover onto the relief valve until it

POSTIVE PRESSURE RELIEF VALVE FILTERS

A/C NUMBER:

CHECK BEING PERFORMED: Cust

W/C NUMBER: 212M2104 (continued)

MECH: INSP:

snaps into position.

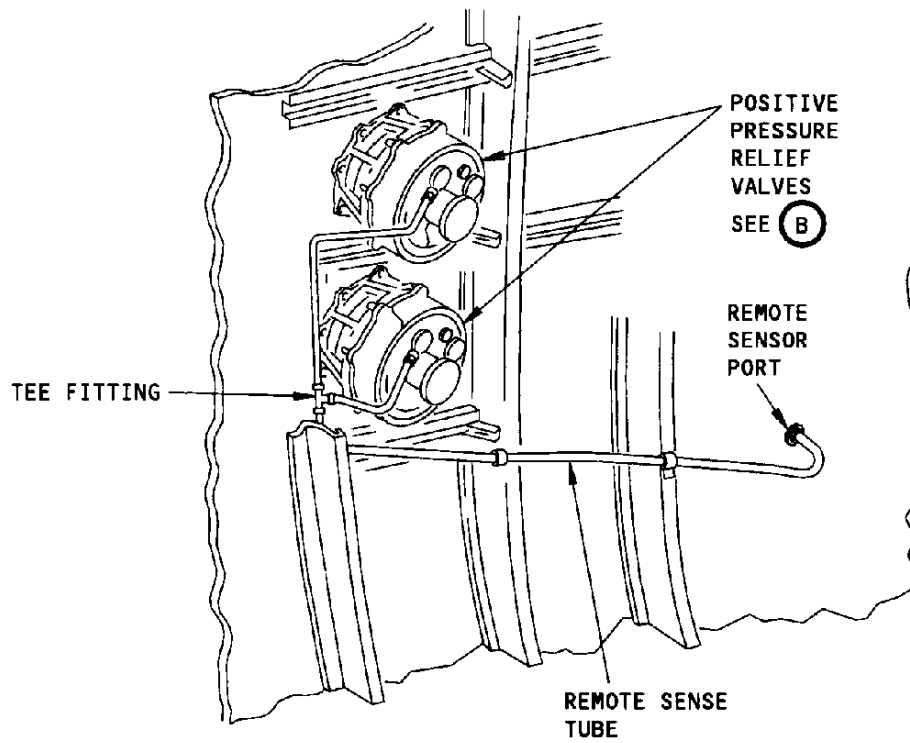
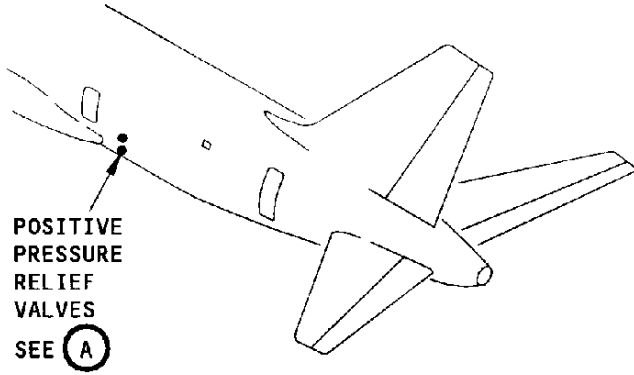
E Put the airplane back to its usual condition.

\_\_\_\_\_ XXXXX 1 Install the duct(s) that were removed to get access to the filters.

\_\_\_\_\_ XXXXX 2 Install the left sidewall lining in the aft cargo cargo compartment (Ref 25-50-02).

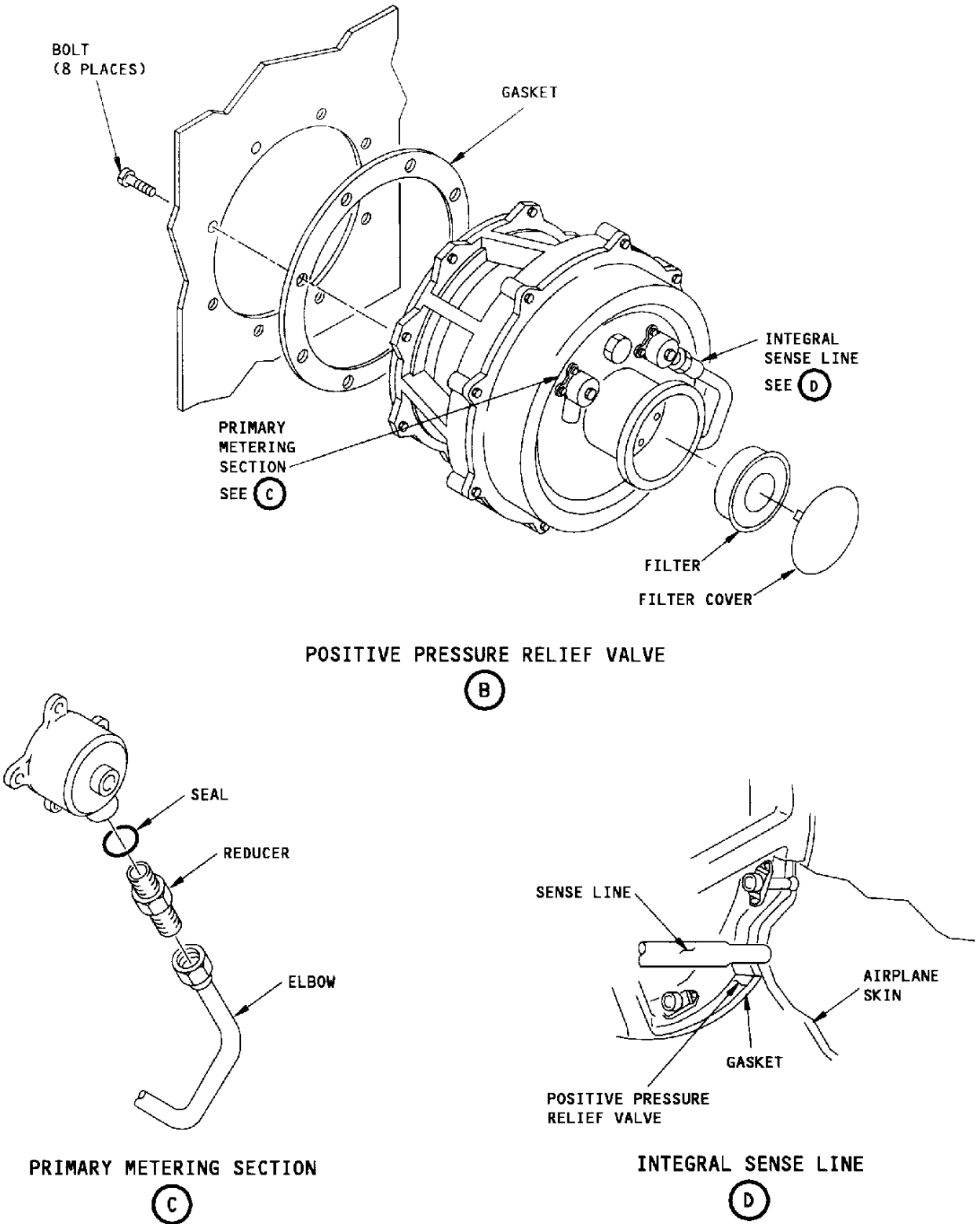
\_\_\_\_\_ XXXXX 3 Close the aft cargo door, 822 (Ref 06-46-00).

\*\*\*\*\*END OF WORKCARD\*\*\*\*\*



POSITIVE PRESSURE RELIEF VALVES

(A)



POSITIVE PRESSURE RELIEF VALVE

FIGURE 2

08/06/1998