

ATA AIRLINES, INC.

CLEAN RETURN AIR GRILLES

PAGE 1 / 2

CHECK BEING PERFORMED: Custom

ZONES: 220 230 240 250
A/C NUMBER:
REV. DATE: 08/07/03
FREQUENCY: 1C

W/C NUMBER: 222Z2101
DATE:
W/O:
JAC CODE:

VACUUM CLEANER

1

REFERENCES

FIG 1

MECH INSP

REMOVE AND CLEAN RETURN AIR GRILLES.

1. Remove the Return Air Grilles.

| _____ XXXXX A. Remove the passenger seats per AMM 25-25-01, if necessary,
to gain access to the air grilles.

_____ XXXXX B. Remove the carpet riser that has the air grille.

(1) Push the carpet riser up into the sidewall clip until
the bottom carpet riser clip is above the crease beam.

| NOTE: Separating the floor carpet from the carpet
riser may be required in order to push the
carpet riser up into the sidewall clips.
Periodically the fabrics will mesh together,
| preventing the lifting of the carpet riser.

(2) Pull the bottom of the carpet riser inboard over the
crease beam.

(3) Pull the carpet riser down until it comes out of the
sidewall clip.

2. Clean the Return Air Grilles.

A. Equipment

(1) VACUUM CLEANER - COMMERCIALY AVAILABLE

| B. Clean the return air grilles.

| _____ XXXXX (1) Use the vaccuum cleaner to remove dust, lint and
other unwanted material from the grille. A damp
cloth may be required to remove liquid spills or
stains.

CLEAN RETURN AIR GRILLES

A/C NUMBER:

CHECK BEING PERFORMED: Cust

W/C NUMBER: 222Z2101 (continued)

MECH: INSP:

| ____ XXXXX (2) Use the vaccuum cleaner to remove dust, lint and other unwanted material from the airplane structure behind the return air grilles.

| ____ XXXXX (3) Restore any Corrosion Inhibiting Compound (CIC) removed from the airplane structure behind the return air grilles.

3. Install the Return Air Grilles

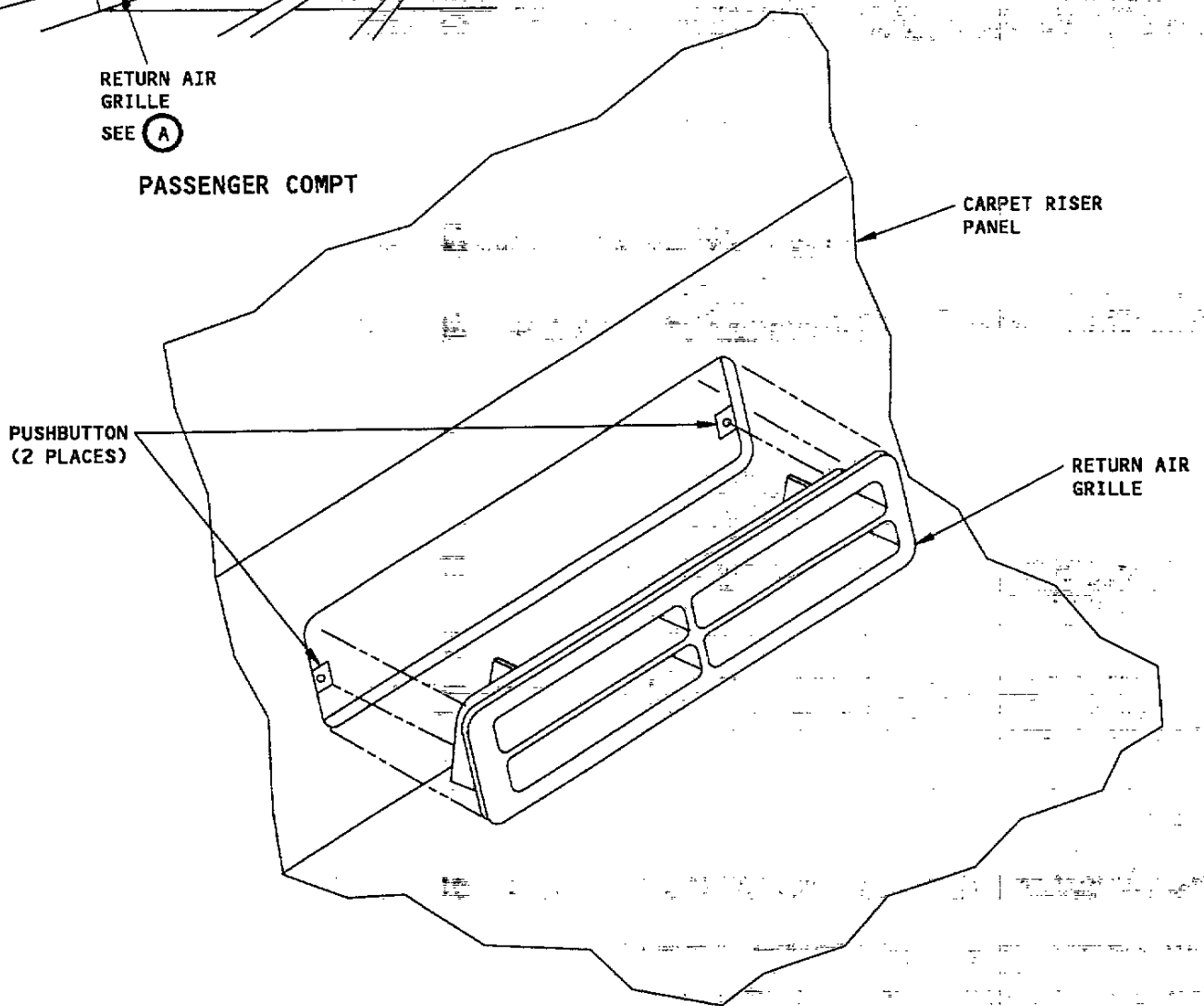
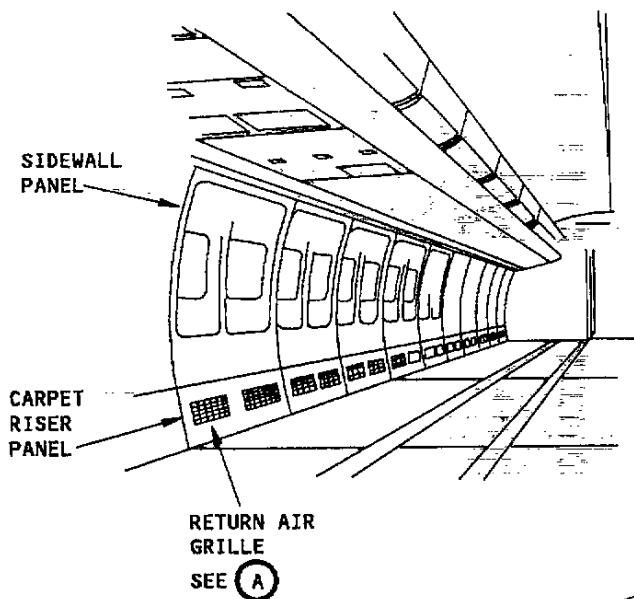
____ XXXXX A. Install the return air grilles as follows (FIG 1):

- (1) Push the top of the carpet riser into the sidewall clip as far as possible.
(2) Push the bottom of the carpet riser outboard, against the sidewall frame.
(3) Push the carpet riser down so that the carpet riser clip attaches to the crease beam.

| ____ ____ 4. Install Passenger Seats per AMM 25-25-01, if Removed.

*****END OF WORKCARD*****

222Z2101



(A)

RETURN AIR GRILLES — FIGURE 1
INSPECTION

08/06/1998