

ATA AIRLINES, INC.

GALLEY VENTILATION FILTERS

PAGE 1 / 2

CHECK BEING PERFORMED: Custom

ZONES: 224 253 254  
A/C NUMBER:  
REV. DATE: 01/23/02  
FREQUENCY: 1A

W/C NUMBER: 223M2101 DATE:  
W/O:  
JAC CODE:

MFR P/N	DESCRIPTION	QTY
628940-230	FILTER	1

REFERENCES

FIGURE 1

MECH INSP

CHANGE GALLEY VENTILATION FILTERS.

1. REMOVE THE GALLEY VENTILATION FILTER (FIG. 1).

A. REMOVE THE GALLEY VENTILATION FILTER.

\_\_\_\_\_ XXXXX FORWARD GALLEY

\_\_\_\_\_ XXXXX AFT GALLEY

(1) REMOVE THE GALLEY VENTILATION FILTER GRILLES IN THE CEILING OF THE GALLEY AREA.

(A) REMOVE THE SCREWS FROM THE GRILLE.

(B) REMOVE THE GRILLE.

(2) PULL THE FILTER OUT OF THE VENTILATION INLET.

2. CLEAN THE GALLEY VENTILATION FILTER GRILLES (FIG. 1).

\_\_\_\_\_ XXXXX FORWARD GALLEY

\_\_\_\_\_ XXXXX AFT GALLEY

A. REMOVE DUST AND DEBRIS.

(1) CLEAN THE GALLEY VENTILATION FILTER GRILLES WITH WARM SOAPY WATER, RINSE AND DRY.

3. INSTALL THE GALLEY VENTILATION FILTER (FIG. 1).

\_\_\_\_\_ XXXXX FORWARD GALLEY

\_\_\_\_\_ XXXXX AFT GALLEY

GALLEY VENTILATION FILTERS

A/C NUMBER:

CHECK BEING PERFORMED: Cust

W/C NUMBER: 223M2101 (continued)

MECH: INSP:

---

A. CONSUMABLE MATERIALS.

- (1) 628940-230 - FILTRATION MEDIA - FRONTLINE BLUE DRY.

B. PREPARE FOR INSTALLATION.

- (1) CUT A NEW FILTER FROM THE FIBERGLASS FILTER MATERIAL, (10.5" X 3.5").

C. INSTALL THE GALLEY VENTILATION FILTER.

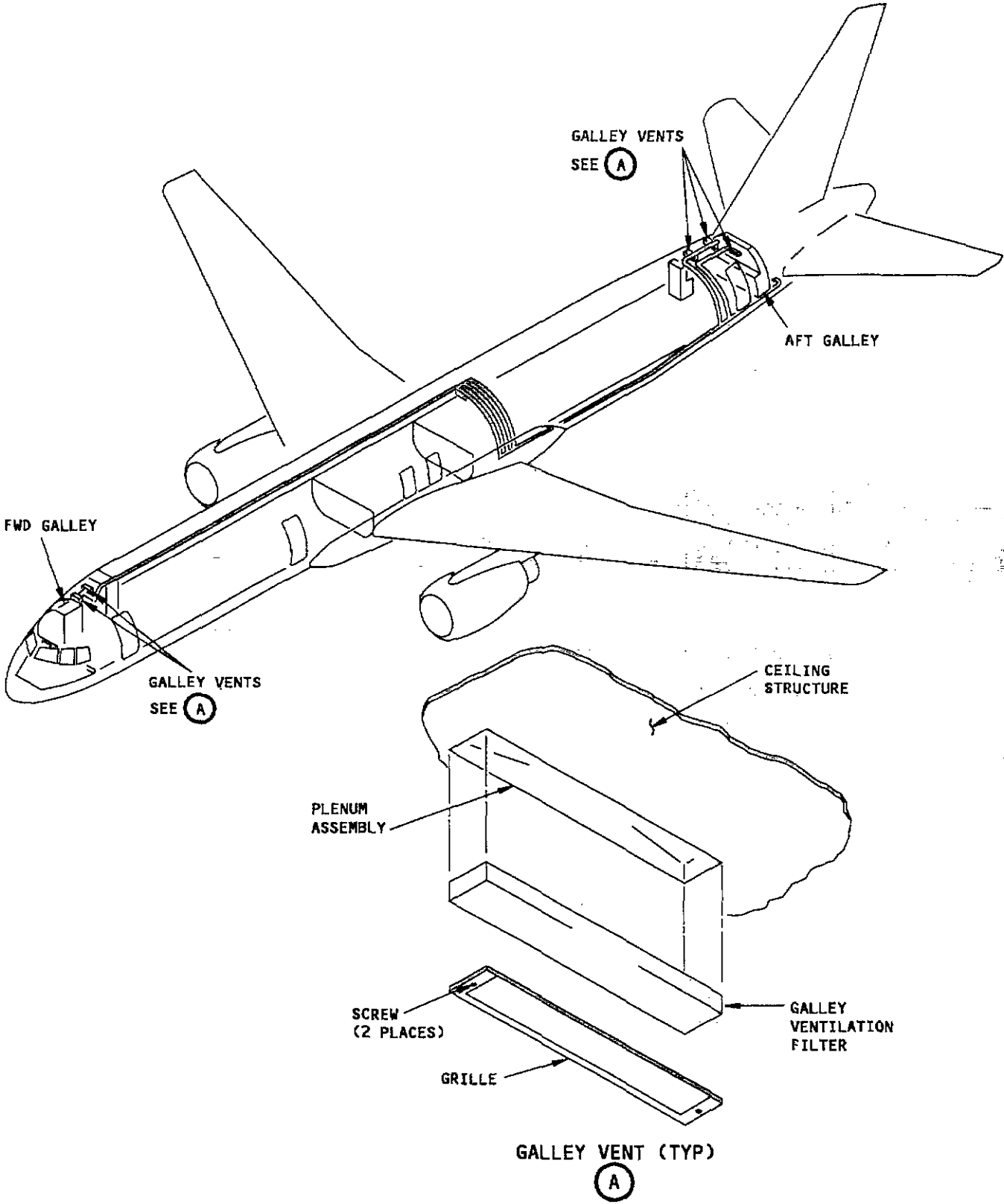
- (1) PUT THE NEW FILTER INTO THE VENTILATION INLET.

NOTE: THE FILTER MATERIAL IS TWO (2) INCHES THICK, BUT COMPRESSES TO ONE (1) INCH WHEN IT IS INSTALLED.

- (2) PUT THE GRILLE IN POSITION OVER THE VENTILATION INLET.

- (3) INSTALL MOUNTING SCREWS.

\*\*\*\*\*END OF WORKCARD\*\*\*\*\*



GALLEY VENT AIR  
FILTER  
INSPECTION

FIGURE 1

08/06/1998