

ATA AIRLINES, INC.

FORWARD CARGO COMPARTMENT

PAGE 1 / 1

CHECK BEING PERFORMED: Custom

ZONES: 121 122 123 124 W/C NUMBER: 311I5302 DATE:
A/C NUMBER:
REV. DATE: 05/19/06
FREQUENCY: 2C

PANELS

120ZAC 120ZCC 120ZEC 120ZGC 121ZBC 121ZDC 122ZBC
122ZDC 122ZFC 120BF 120DF
120ZBC 120ZDC 120ZFC 121ZAC 121ZCC 122ZAC 122ZCC
122ZEC 120AF 120CF

REFERENCES

Figures 1 and 2

MECH INSP

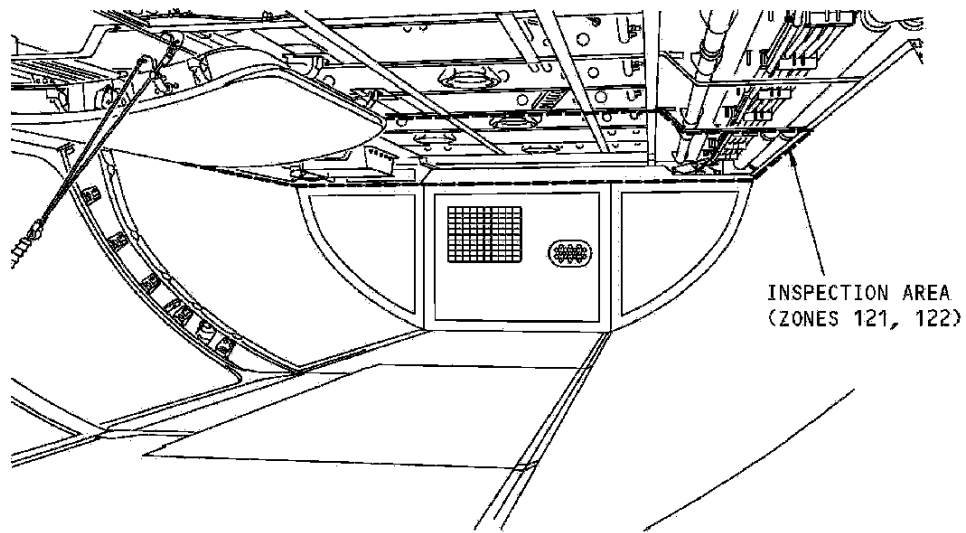
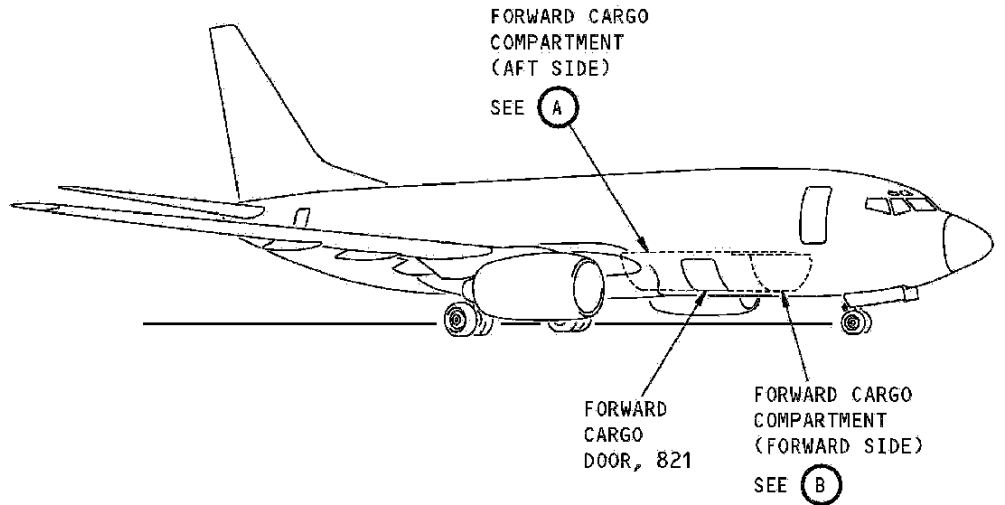
MPD Items: 53-814-00, 53-820-00

Note: Removal/Displacement of insulation is not required for
this inspection.

XXXXX 1. Perform an Internal Zonal inspection (GVI) of the area above
the forward cargo compartment - section 43, sta 396 to
forward cargo compartment aft bulkhead (Fig. 1).

XXXXX 2. Perform an Internal Zonal inspection (GVI) of the area below
the forward cargo compartment - section 43, sta 396 to
forward cargo compartment aft bulkhead (Fig. 2).

*****END OF WORKCARD*****



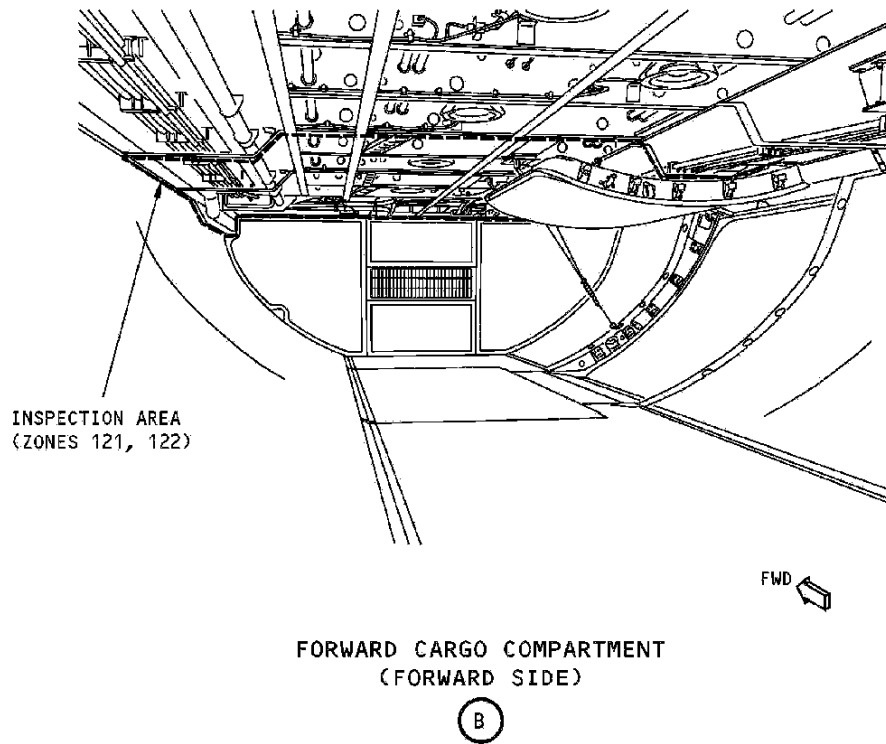
FWD

FORWARD CARGO COMPARTMENT (AFT SIDE)

(A)

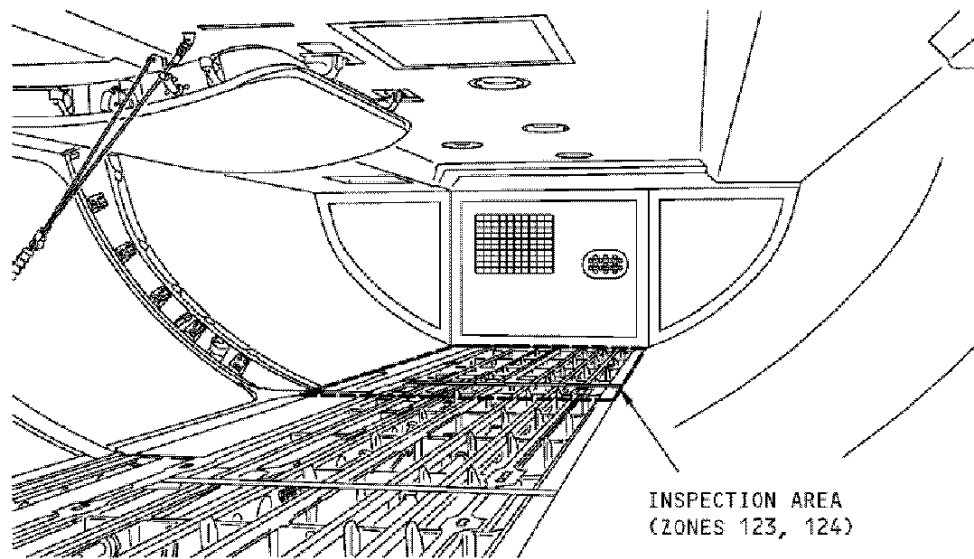
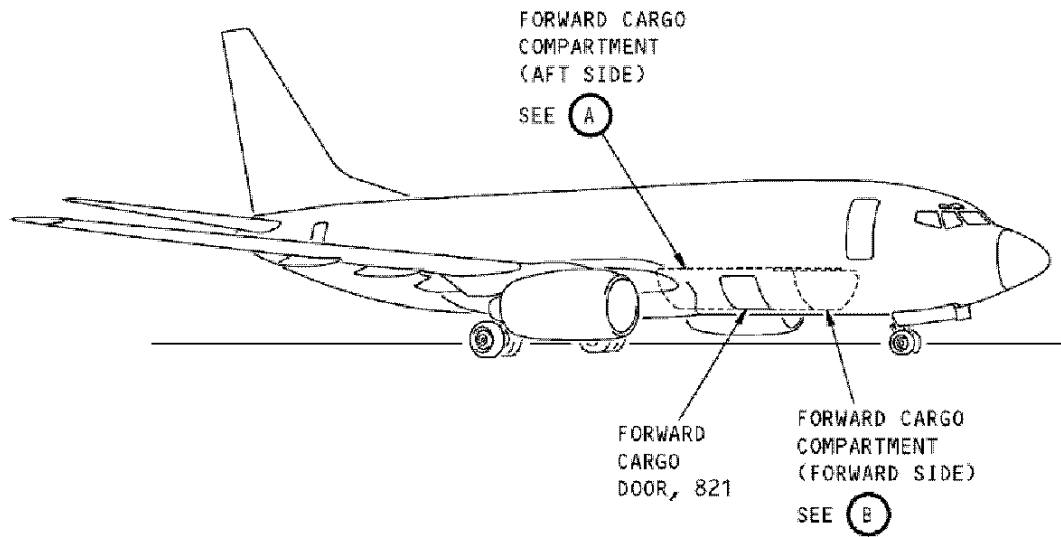
Forward Cargo Compartment General Visual (Internal) (Ceiling Liners Removed)

Figure 1 (Sheet 1 of 2)



Forward Cargo Compartment General Visual (Internal) (Ceiling Liners Removed)

Figure 1 (Sheet 2 of 2)



FORWARD CARGO COMPARTMENT (AFT SIDE)



MPD ITEM
53-820-00

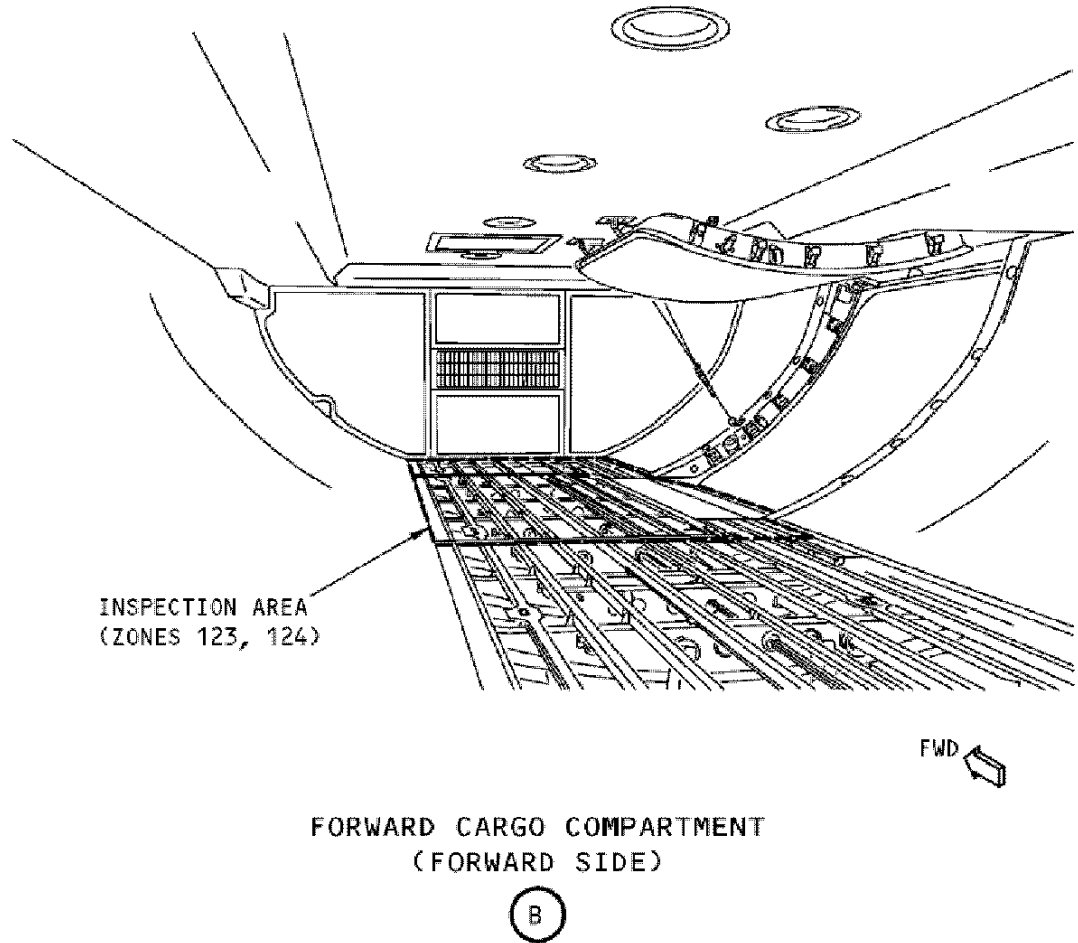
Below the Forward Cargo Compartment General Visual (Internal) (Floor Panels Removed)

Figure 2 (Sheet 1 of 2)

**FORWARD CARGO
COMPARTMENT**

05/19/2006

31115302



MPD ITEM
53-820-00

Below the Forward Cargo Compartment General Visual (Internal) (Floor Panels Removed)

Figure 2 (Sheet 2 of 2)

**FORWARD CARGO
COMPARTMENT**

05/19/2006