

ATA AIRLINES, INC.

AFT CARGO COMPARTMENT

PAGE 1 / 1

CHECK BEING PERFORMED: Custom

ZONES: 141 142 143 144 W/C NUMBER: 312I5302 DATE:
A/C NUMBER:
REV. DATE: 01/23/06
FREQUENCY: 2C

PANELS

140AF 140CF 141ZAC 141ZCC 142ZAC 142ZDC 142ZGC
142ZJC 141AW 141EW
140BF 140DF 141ZBC 141ZDC 142ZCC 142ZFC 142ZHC
142ZKC 141CW 141GW

REFERENCES

Figure 1

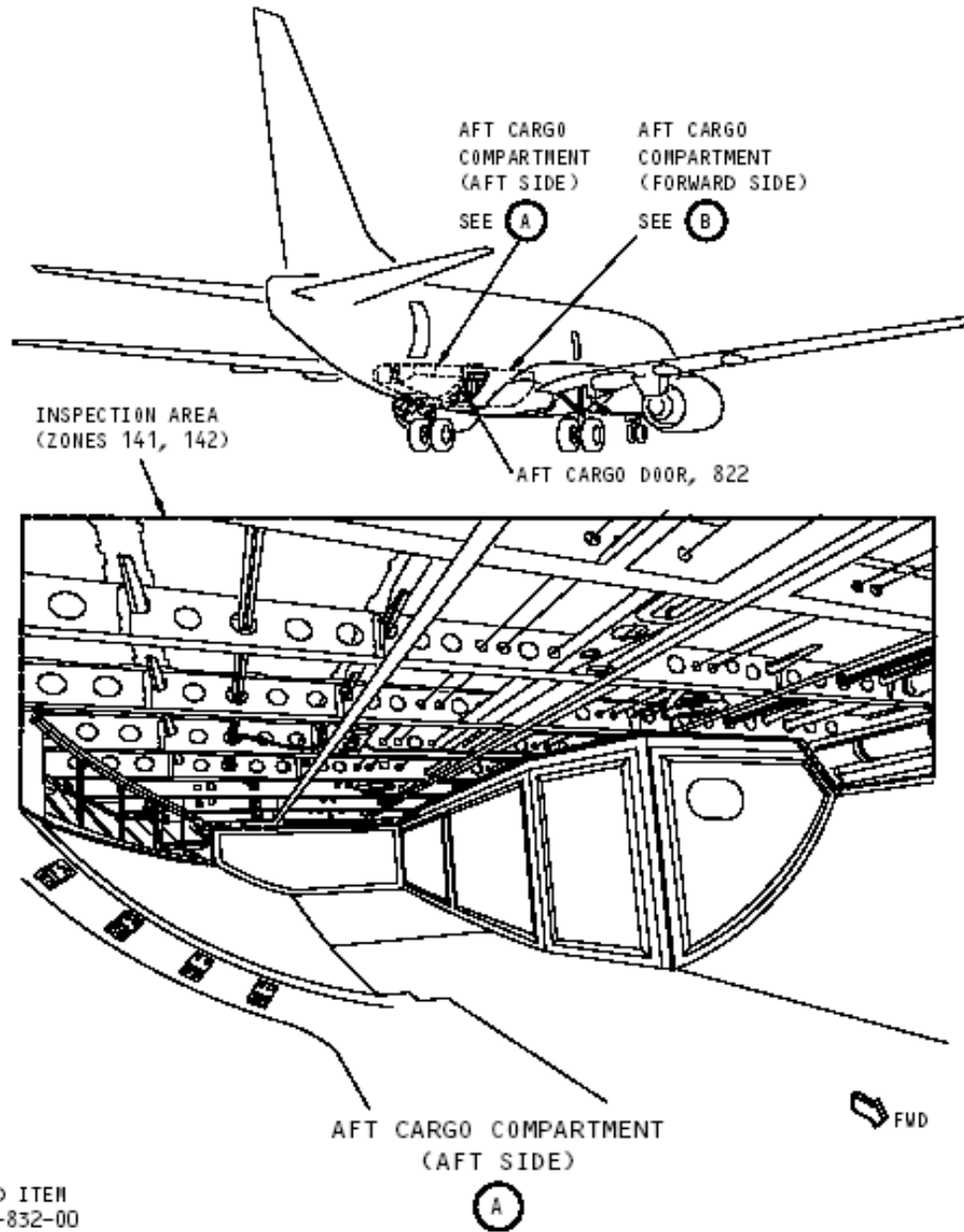
MECH INSP

MPD Items: 53-832-00, 53-840-00

XXXXX 1. Perform an Internal Zonal inspection (GVI) of the aft cargo
compartment - section 46 and 47 (part), sta 727 to
sta 947.5 (Fig. 1).

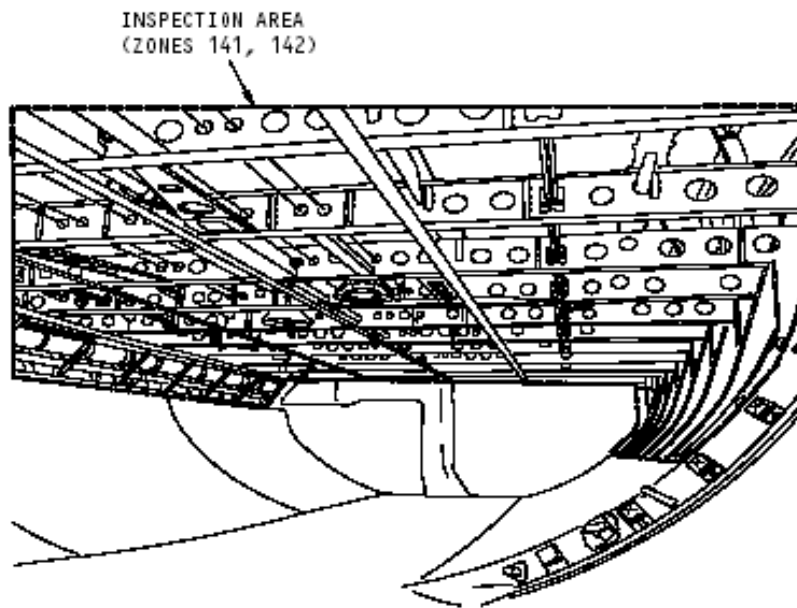
XXXXX 2. Perform an Internal Zonal inspection (GVI) of the area below
the aft cargo compartment - section 46 and 47 (part), STA
727 TO STA 947.5 (Fig. 1).

*****END OF WORKCARD*****



MPD ITEM
53-832-00

Aft Cargo Compartment General Visual (Internal)
(Upper Angled Sidewall and Ceiling Panels Removed)

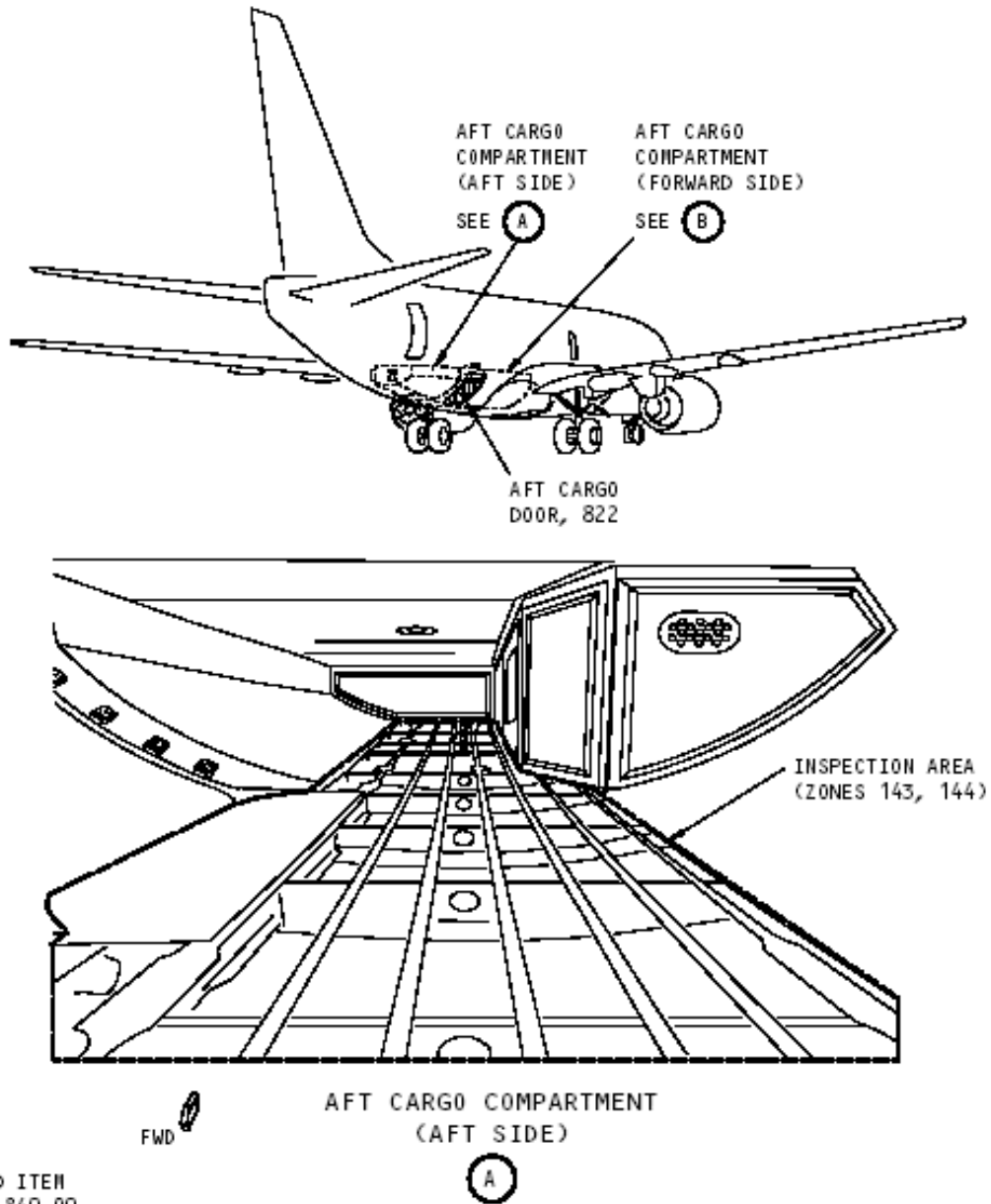


AFT CARGO COMPARTMENT
(FORWARD SIDE)

B

NPD ITEM
53-852-00

Aft Cargo Compartment General Visual (Internal)
(Upper Angled Sidewall and Ceiling Panels Removed)



MPD ITEM
53-840-00

Below the Aft Cargo Compartment General Visual (Internal)
(Floor Panels Removed)

