

ATA AIRLINES, INC.

CABIN TEMPERATURE SENSOR FILTERS

PAGE 1 / 2

CHECK BEING PERFORMED: Custom

ZONES: 200  
A/C NUMBER:  
REV. DATE: 06/01/06  
FREQUENCY: 1A

W/C NUMBER: 320R2101 DATE:

MFR P/N	DESCRIPTION	QTY
213A6404-1	Flight Deck Temperature Filter(or Equivalent)	1
412A1600-41	Cabin Temperature Filter	2

REFERENCES

FIGURES 1 THROUGH 3, AMM 21-61-06

MECH INSP

MPD ITEM: 21-150-00

REPLACE THE CABIN TEMPERATURE SENSOR FILTERS

NOTE: ONE FILTER IS LOCATED IN THE CONTROL CABIN AND TWO FILTERS ARE LOCATED IN THE PASSENGER CABIN.

1. CABIN TEMPERATURE SENSOR ASSEMBLY FILTER REMOVAL (FIGURES 1 THROUGH 3).

XXXXX A. Prepare for the Removal.

- (1) Remove the filter for the temperature sensor assembly in the flight compartment. To remove the filter, do this task: Cabin Temperature Sensor Assembly Filter Removal (AMM TASK 21-61-06-000-801 p201).

- (2) Remove the filters for the temperature sensor assembly in the passenger compartment. To remove the filters, do this task: Cabin Temperature Sensor Assembly Filter Removal (AMM TASK 21-61-06-000-801 p201).

XXXXX B. Put the Airplane Back to Its Usual Condition.

- (1) Install the filter for the temperature sensor assembly in the flight compartment. To install the filter, do this task: Cabin Temperature Sensor Assembly Filter Installation (AMM TASK 21-61-06-400-801 p201).

- (2) Install the filters for the temperature sensor assembly in the passenger compartment. To install the filters, do this task: Cabin Temperature Sensor Assembly Filter Installation

CABIN TEMPERATURE SENSOR FILTERS

PAGE:2 /2

A/C NUMBER:

CHECK BEING PERFORMED: Cust

W/C NUMBER: 320R2101 (continued)

MECH: INSP:

---

(AMM TASK 21-61-06-400-801 p201).

\*\*\*\*\*END OF WORKCARD\*\*\*\*\*

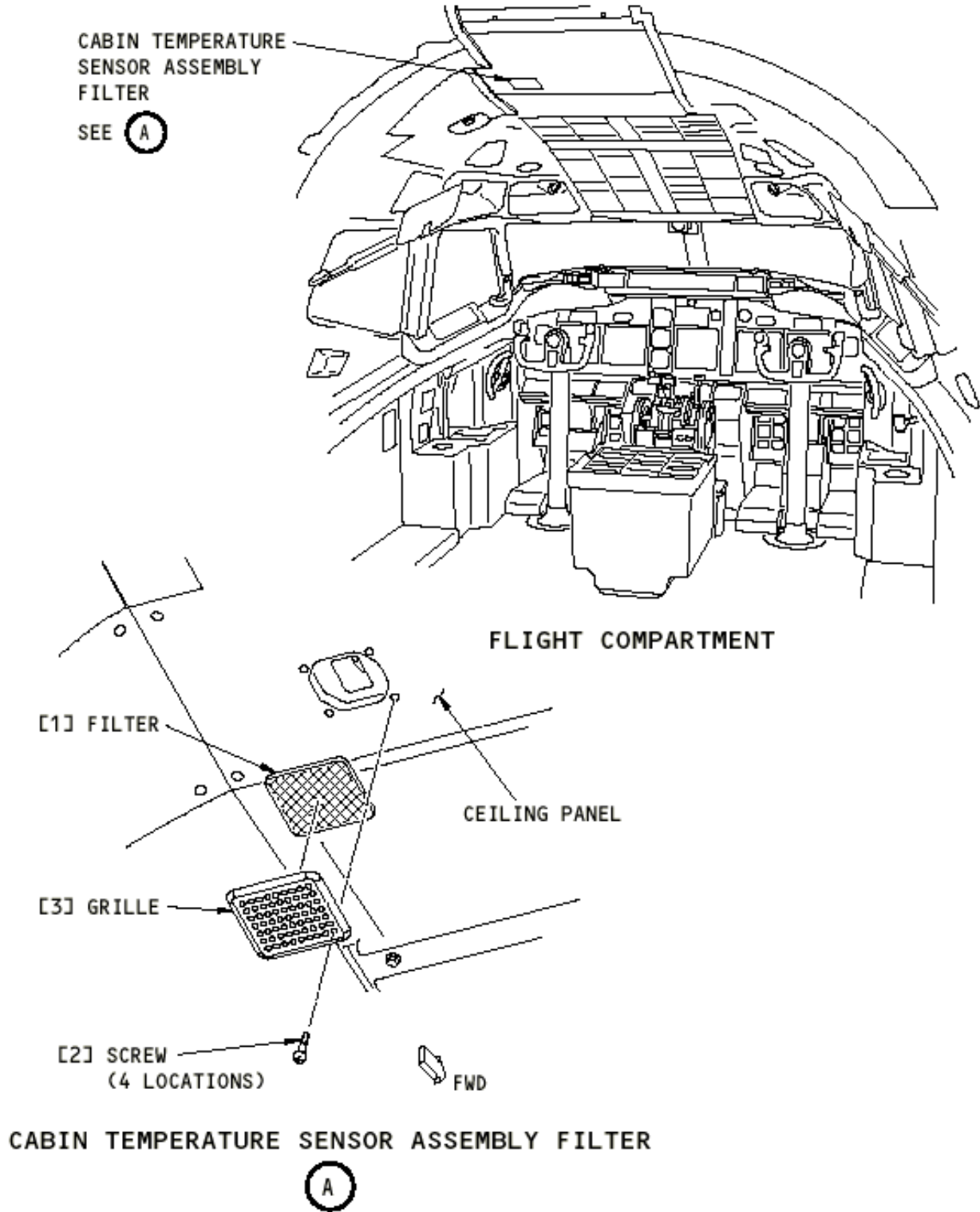
---

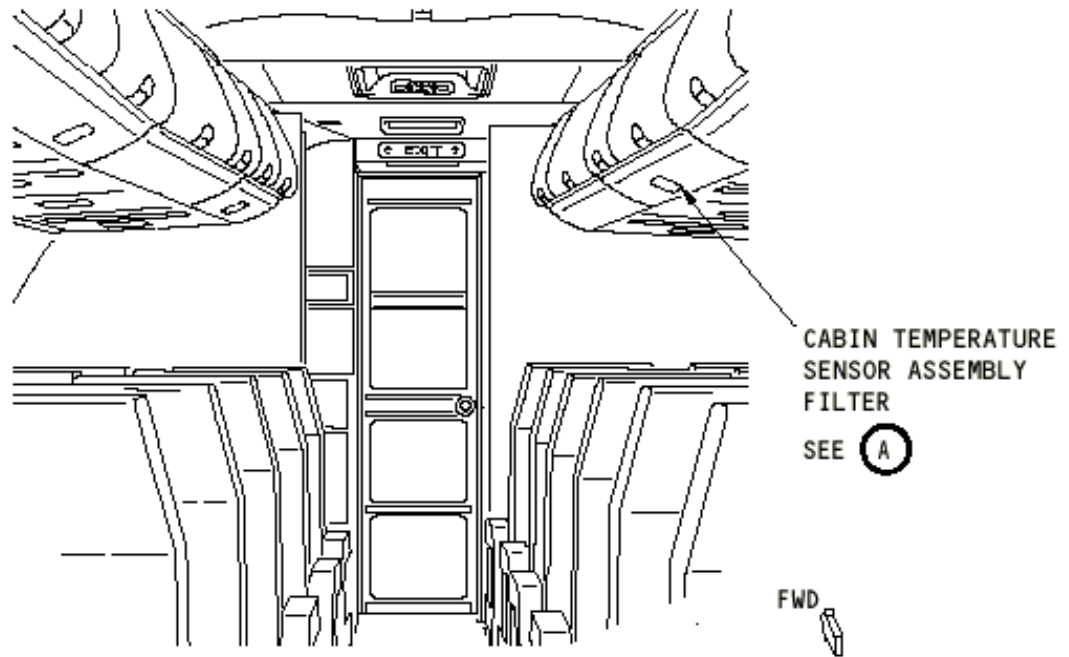
REVISION DATE: 06/01/06

ATA AIRLINES, INC. B737-800 FLEET

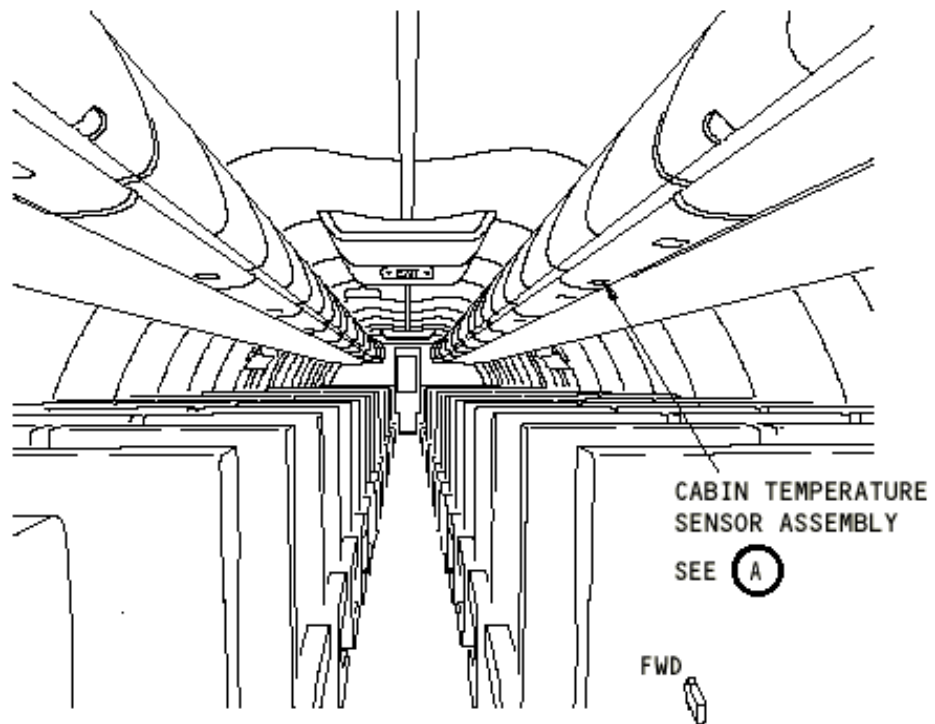
W/C #: 320R2101

DATE WORK CARD COMPLETE \_\_\_/\_\_\_/\_\_\_

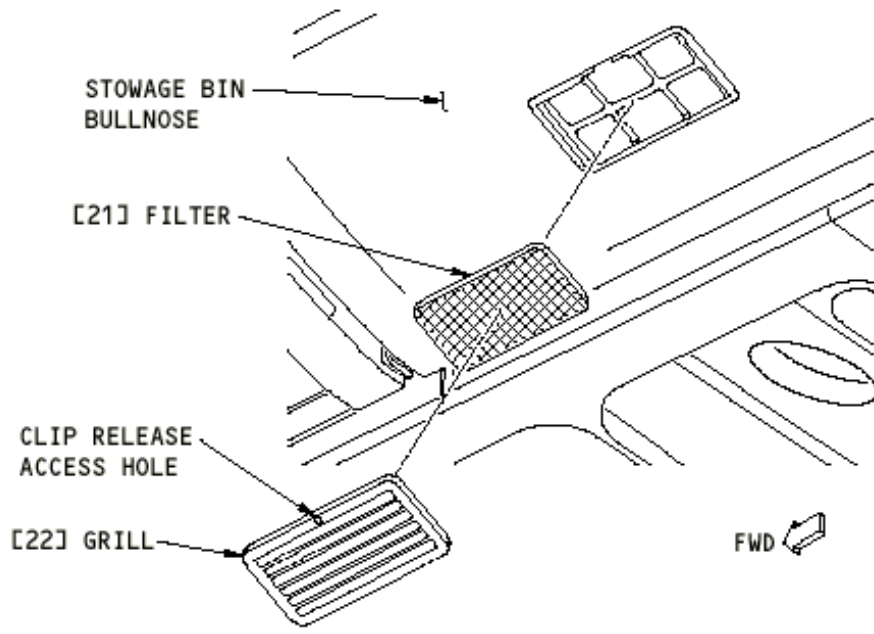




FORWARD PASSENGER COMPARTMENT



AFT PASSENGER COMPARTMENT



CABIN TEMPERATURE SENSOR ASSEMBLY FILTER

A