

ATA AIRLINES, INC.

LAVATORY FIRE BOTTLE FUSIBLE TIPS AND DISCHARGE

PAGE 1 / 2

CHECK BEING PERFORMED: Custom

ZONES: 200
A/C NUMBER:
REV. DATE: 06/01/06
FREQUENCY: 4A

W/C NUMBER: 323I2602 DATE:

REFERENCES

FIGURE 1

MECH INSP

MPD Item: 26-300-00

DETAIL VISUAL INSPECTION OF THE LAVATORY FIRE BOTTLE FUSIBLE TIPS AND DISCHARGE TUBES.

1. Lavatory Waste Compartment Fire Extinguishing Bottle Inspection/Check (Figure 1).

A. Procedure

NOTE: Use the following procedures to accomplish this task in each of the three aircraft lavatories. Document the accomplishment of each respective lavatory in the spaces provided here:

XXXXX Forward Lavatory

XXXXX Aft Left Lavatory

XXXXX Aft Right Lavatory

- (1) Open the waste compartment door.
- (2) Open the waste container door to get access to the fire extinguishing bottle on the inside of the waste compartment.
- (3) Remove the waste container.
- (4) Examine the fusible tips on the discharge tubes.
 - (a) Replace the fire extinguishing bottle and the temperature indicator strip if the fusible tips are melted.
- (5) Examine the temperature indicator strip to see if one or more of the temperature indicators changed from white to black.
 - (a) If one or more of the temperature indicators

A/C NUMBER:

CHECK BEING PERFORMED: Cust

W/C NUMBER: 323I2602 (continued)

MECH: INSP:

changed from white to black, replace the temperature indicator strip.

(6) Examine the fire extinguishing bottle for corrosion, scratches, or dents.

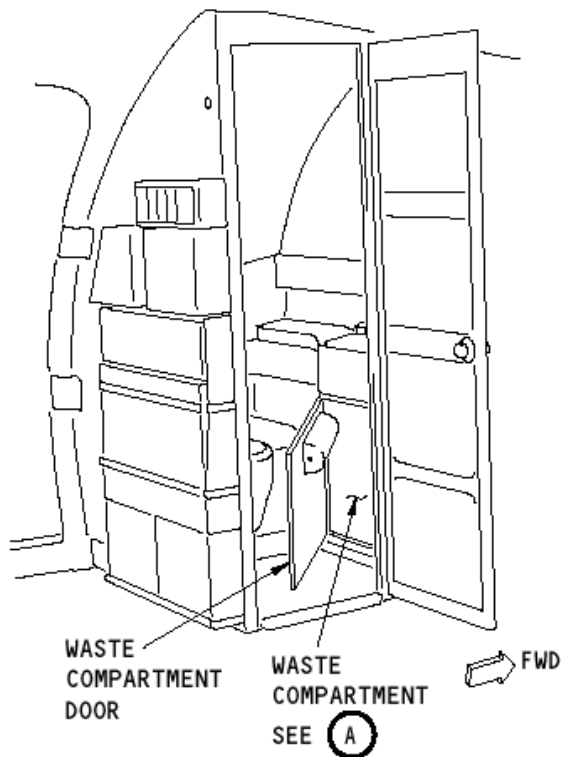
(a) Replace the fire extinguishing bottle if any dents are deeper than 1/16 inch per inch of average dent diameter or if any scratches are deeper than 0.004 inch.

(7) Install the waste container in the waste compartment.

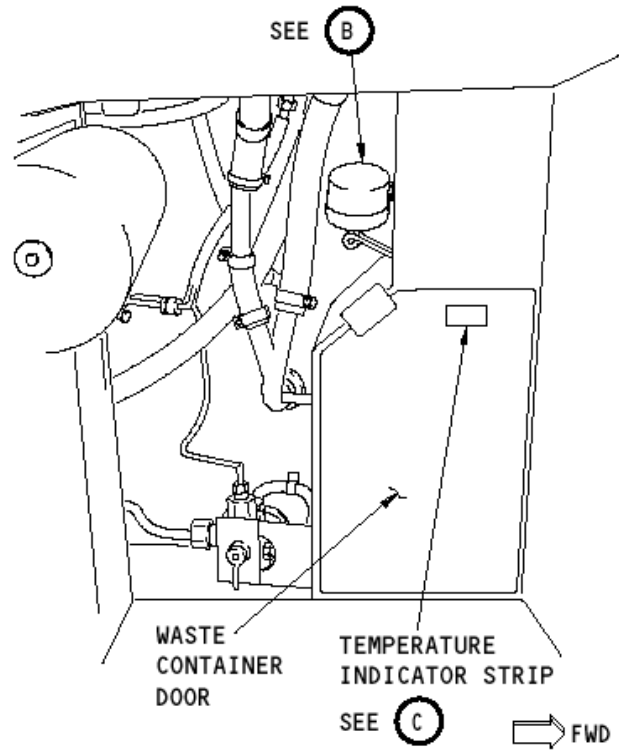
(8) Close the waste container door.

(9) Close the waste compartment door.

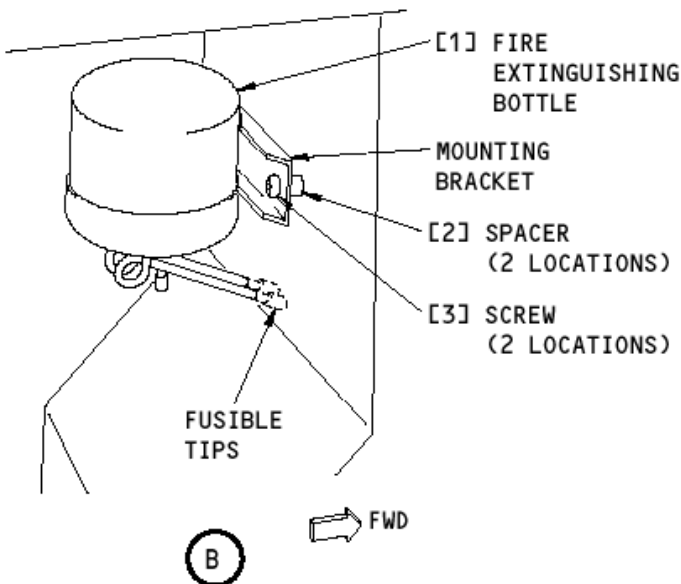
*****END OF WORKCARD*****



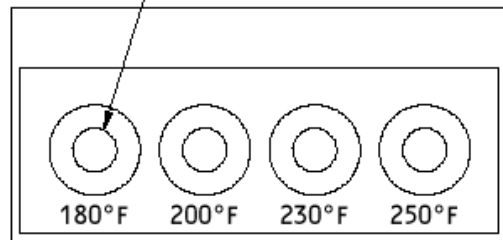
LAVATORY
(EXAMPLE)



WASTE COMPARTMENT
(WASTE CONTAINER NOT SHOWN)



TEMPERATURE INDICATOR
(BLACK WHEN EXPOSED
TO TEMPERATURE
GREATER THAN 180°F)



TEMPERATURE INDICATOR STRIP

Lavatory Waste
Compartment Fire Bottle
And Heat Tape

FIGURE 1

06/01/01