



BOEING 737-800 LINE SERVICE GRAPHICS MANUAL

REVISION: 2

DATE: JUNE 1, 2006

HIGHLIGHTS

Incorporated changes from PCR 3060402 into the B737 Line Service Graphics Manual via Rev 2 as follows:

Changed header in Chapter 1 from " American Trans Air", to "ATA Airlines Inc." per PCR 3060536.

Added Figure 23 per PCR 3060402.

REMOVE PAGES

LEP Page 1
Chapter 1 Pages 1-7

INSERT PAGES

LEP Page 1
Chapter 1 Pages 1- 8.

KEEP MANUALS CURRENT

FILE REVISIONS PROMPTLY

FILE THIS INSTRUCTION SHEET DIRECTLY BEHIND THE REVISION RECORD.

REMOVE THE INSTRUCTION SHEET WHEN FILING THE NEXT REVISION.

QUESTIONS? CONTACT:
MAINTENANCE PROGRAMS
AMERICAN TRANS AIR INC.
7337 W. WASHINGTON ST.
INDIANAPOLIS, IN 46231
(317) 282-5683

ATA AIRLINES, INC.
BOEING 737-800 LINE SERVICE GRAPHICS MANUAL

LIST OF EFFECTIVE PAGES

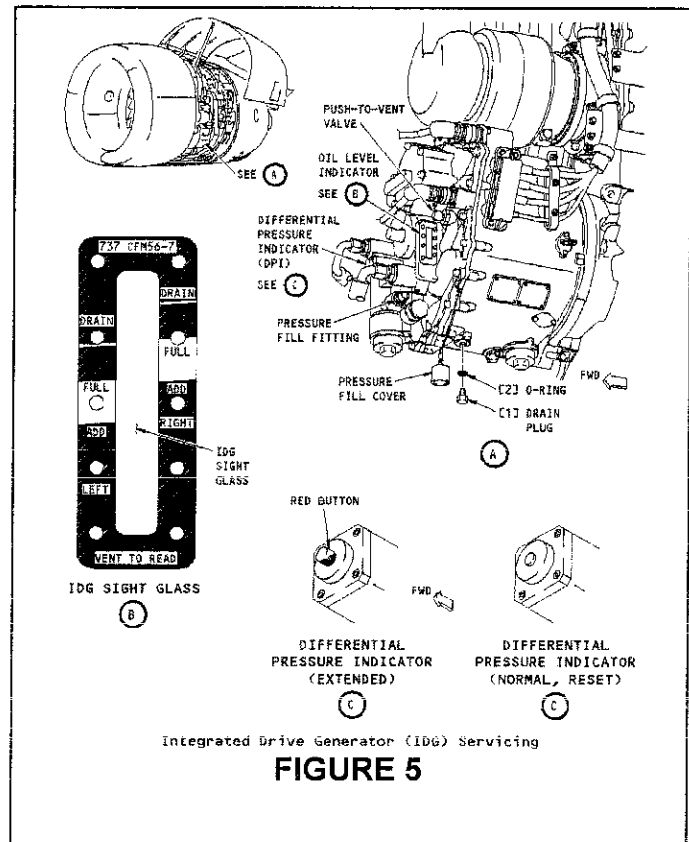
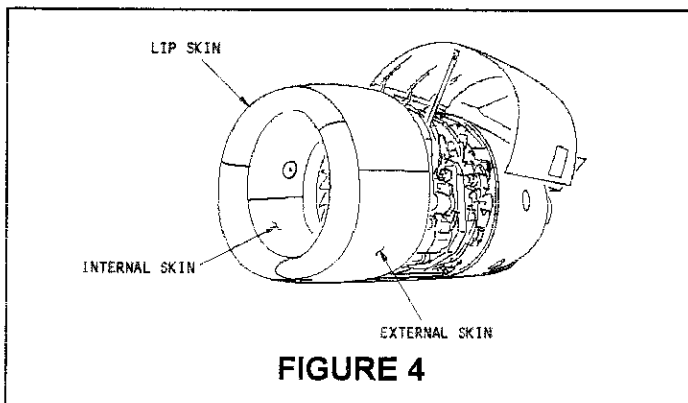
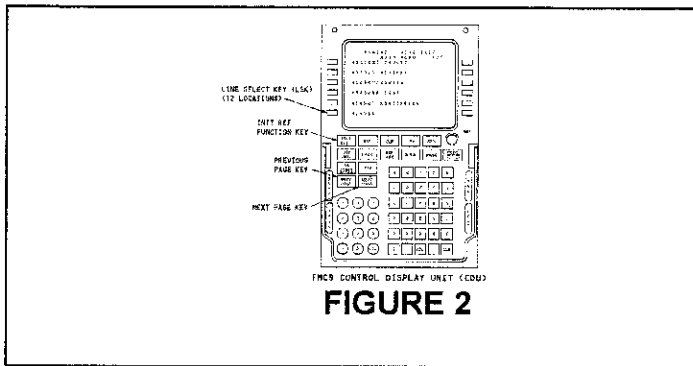
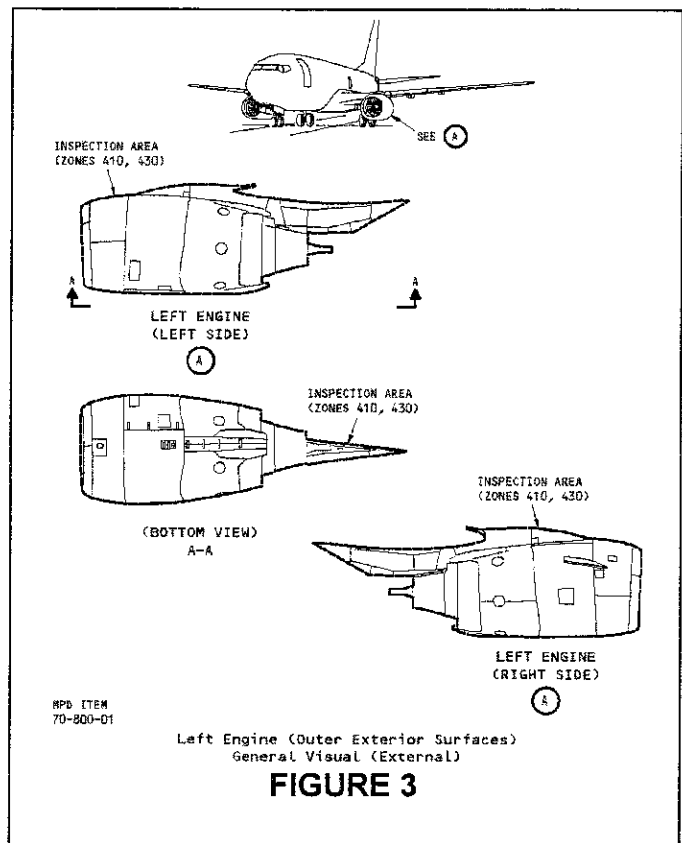
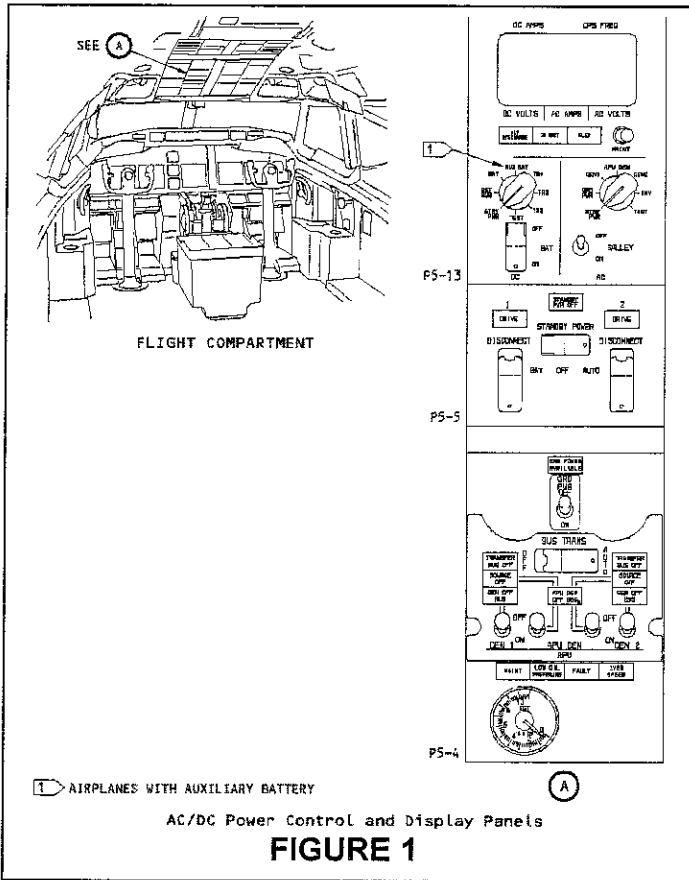
SECTION	PAGES	REVISION	DATE
List of Effective Pages	1	2	06/01/06
Table of Contents	1	1	02/24/04
Chapter 1	1-8	2	06/01/06

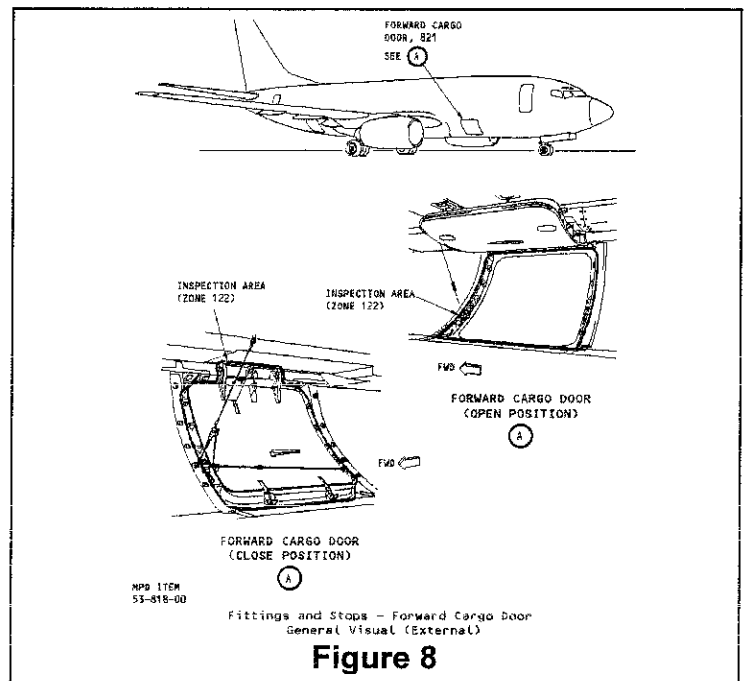
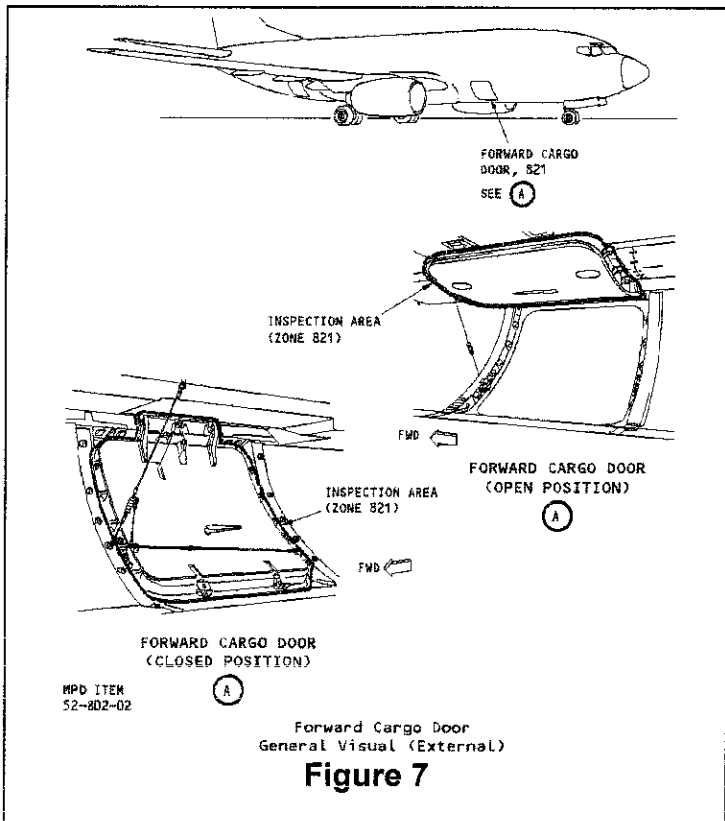
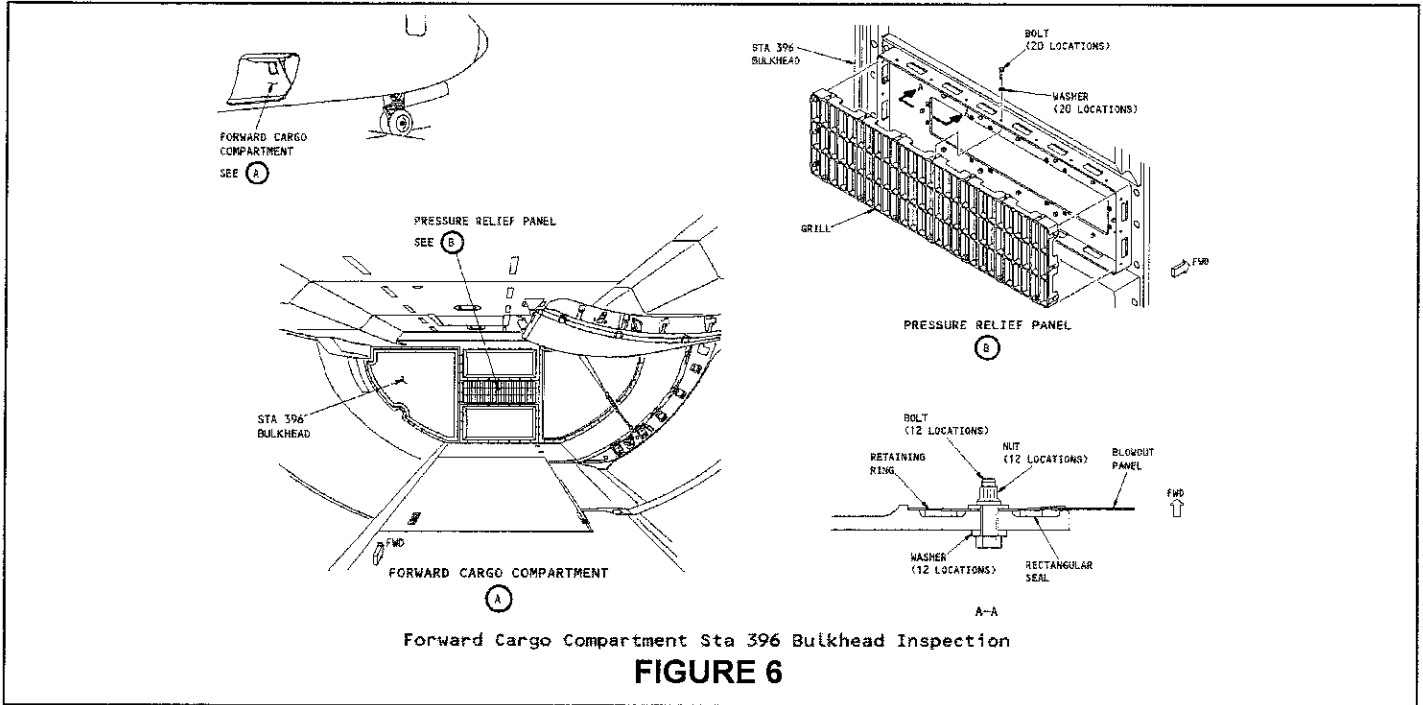
**ATA AIRLINES, INC.
BOEING 737-800 LINE SERVICE GRAPHICS MANUAL**

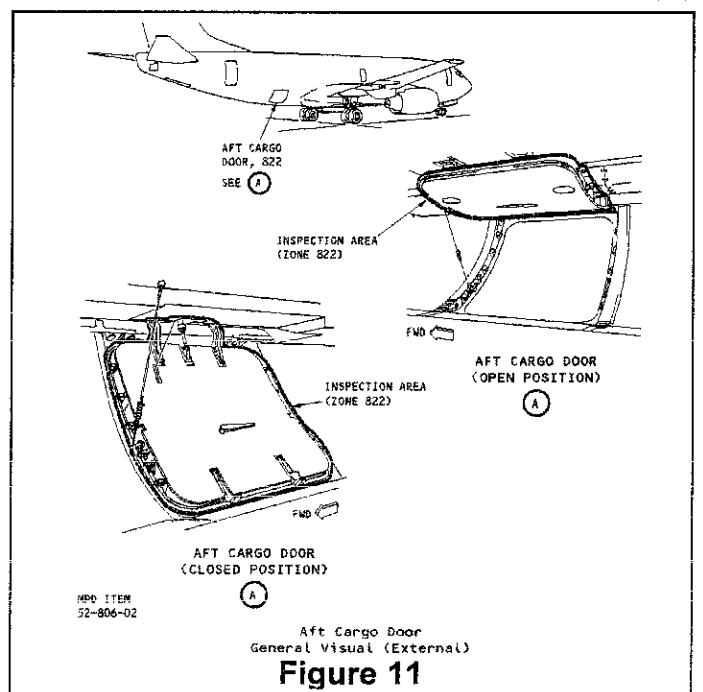
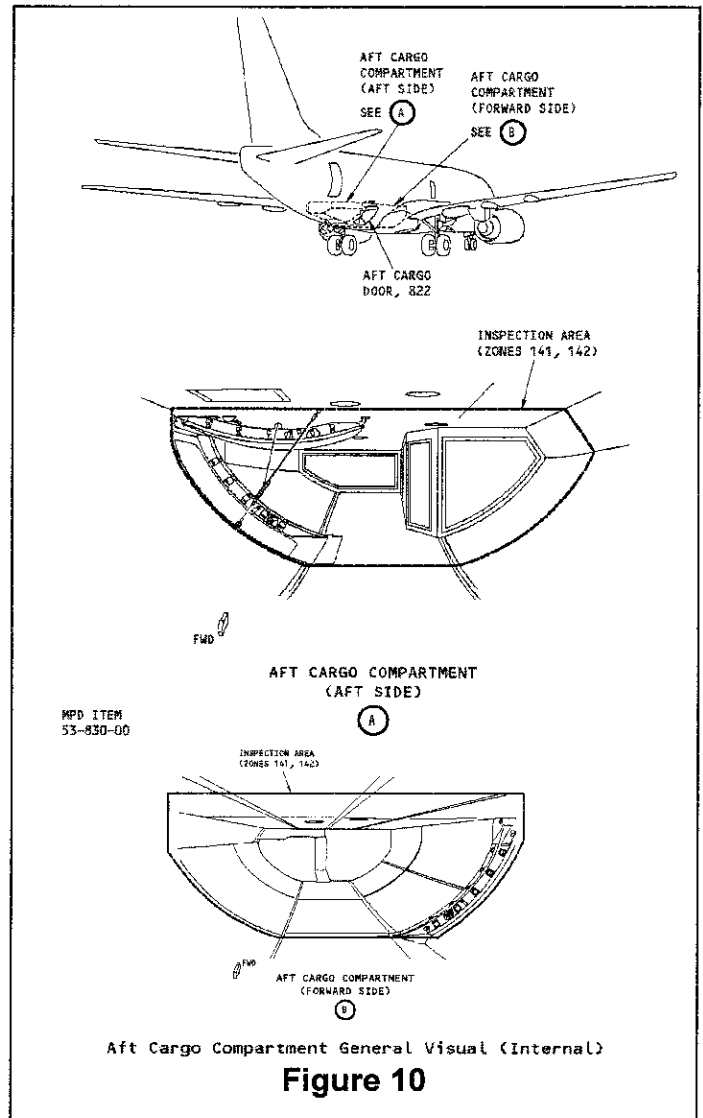
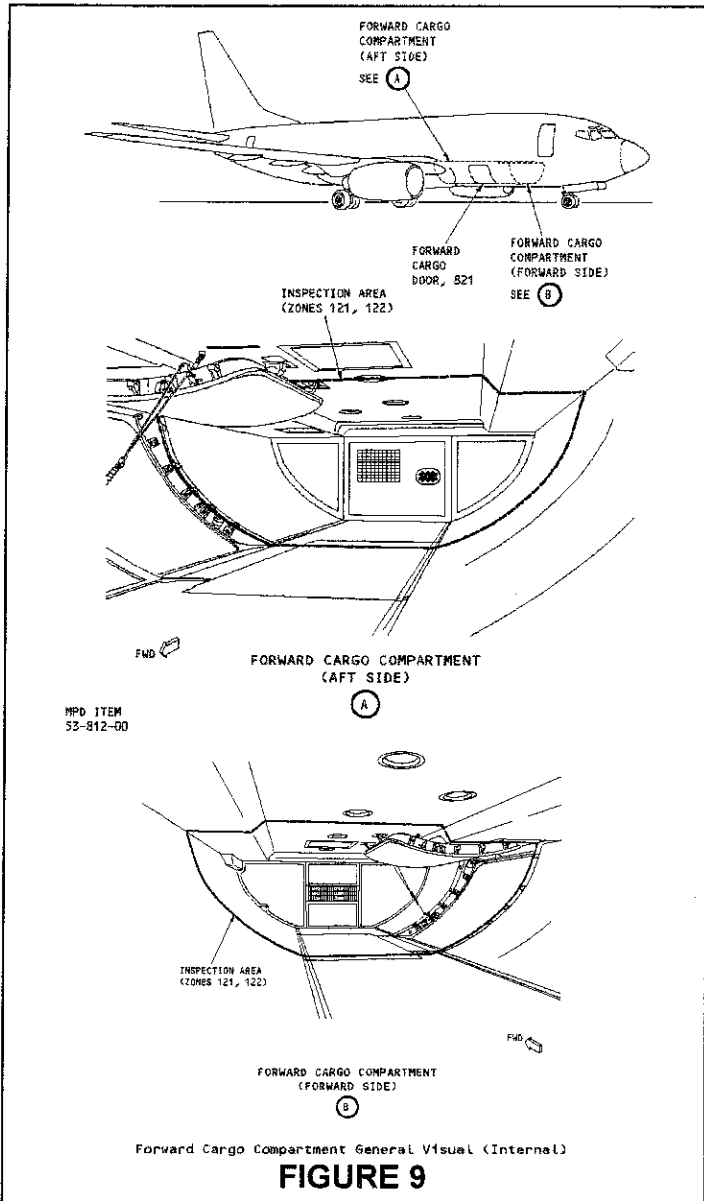
TABLE OF CONTENTS

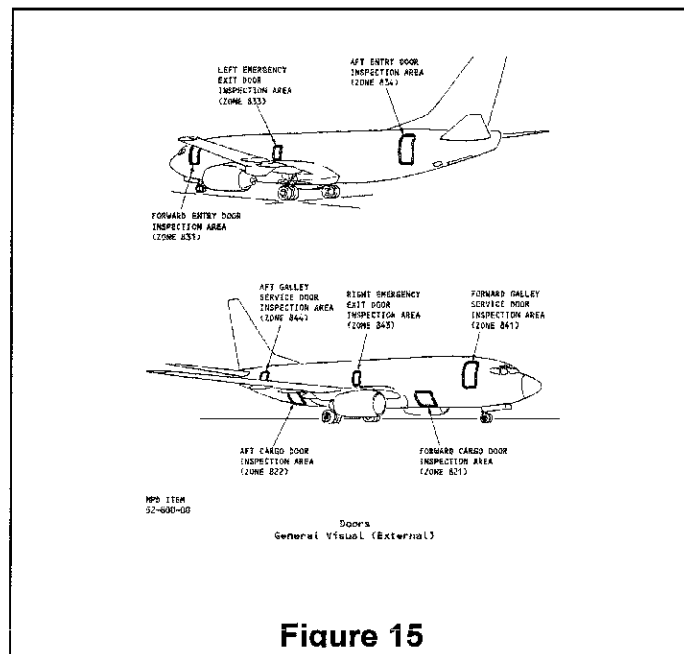
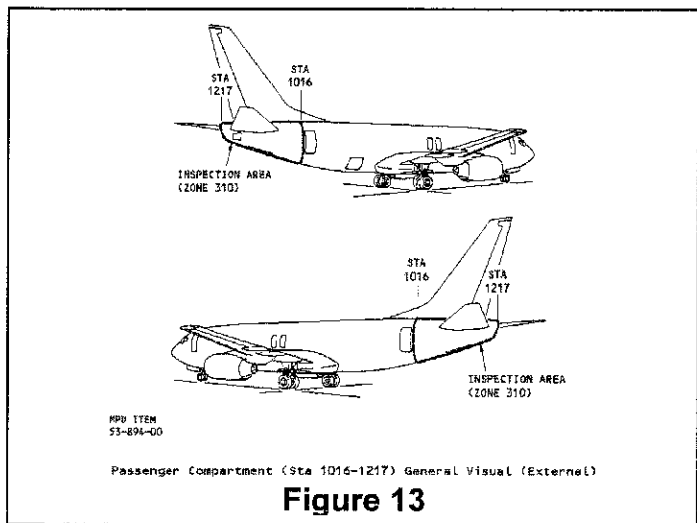
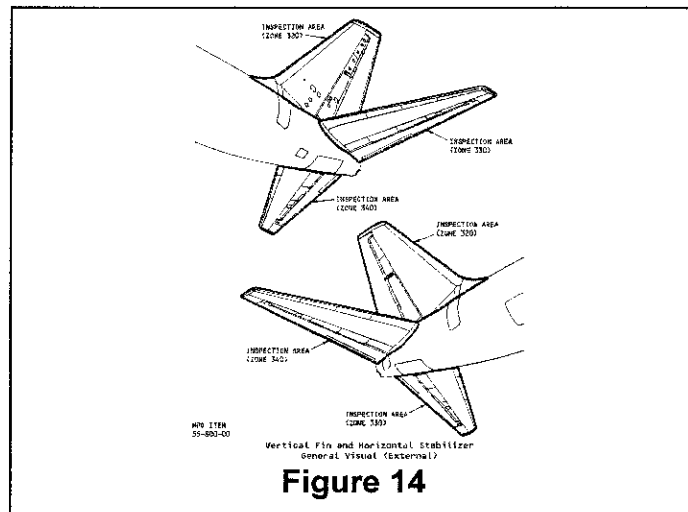
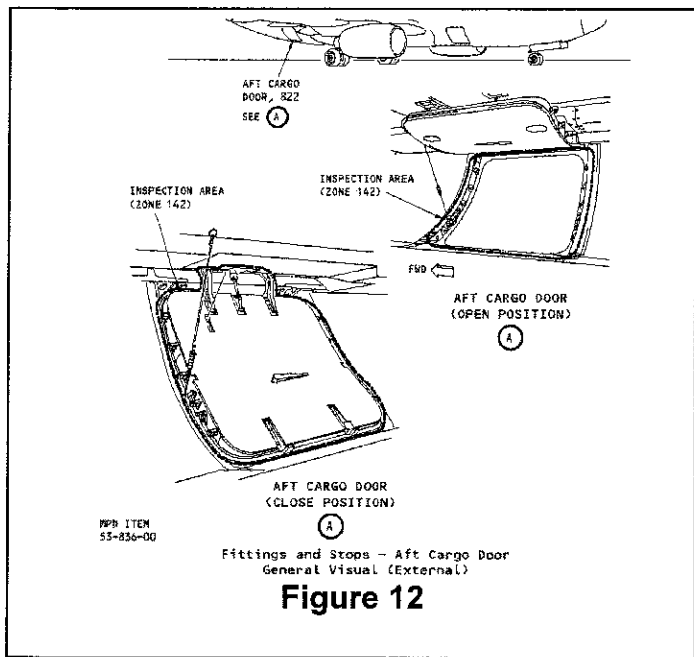
CHAPTER	SUBJECT
	List of Effective Pages
	Table of Contents
1	Line Service Graphics

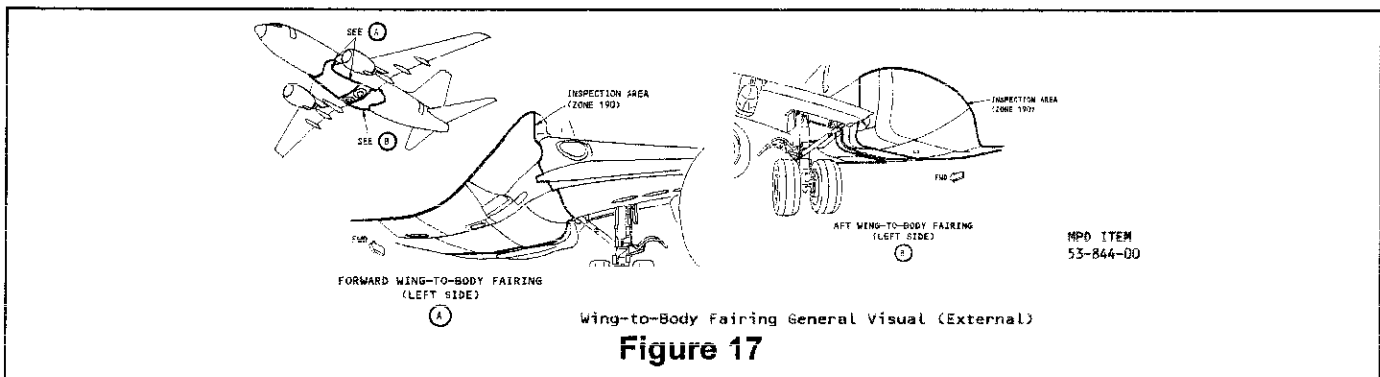
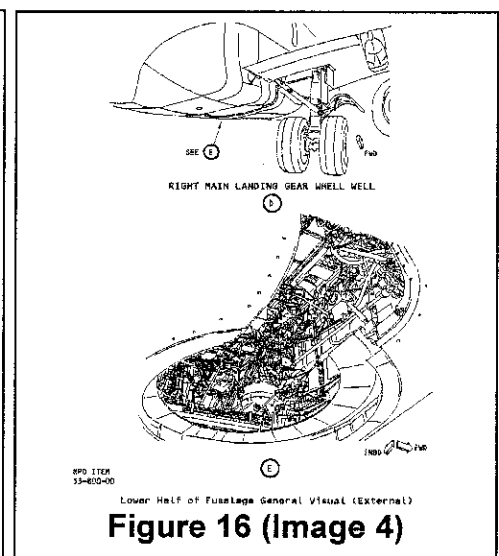
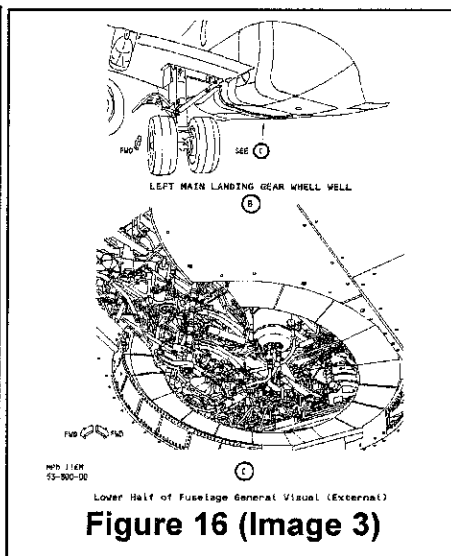
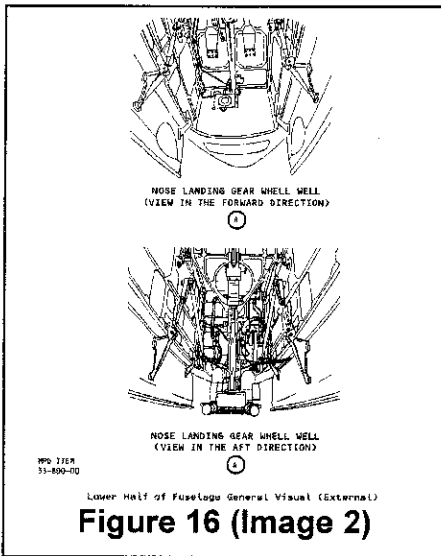
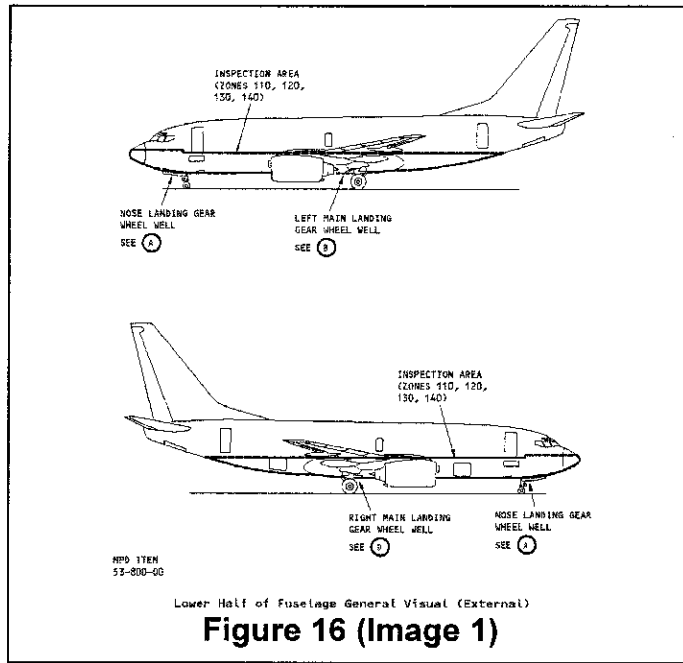
GRAPHICS

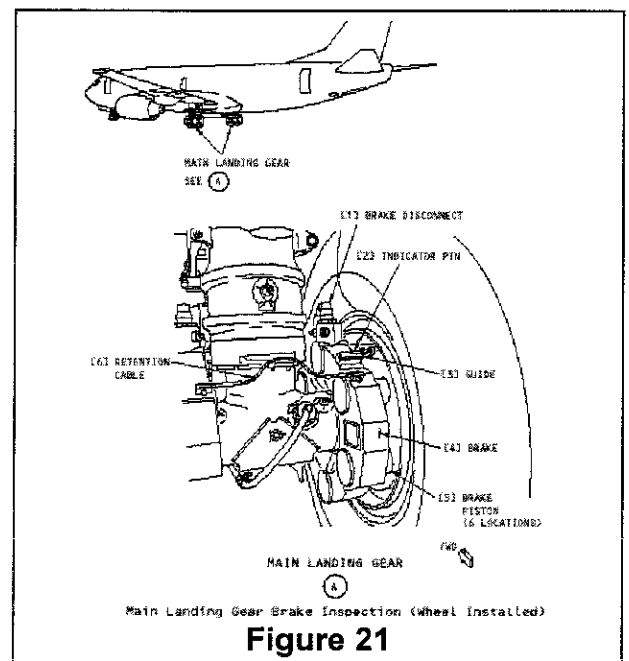
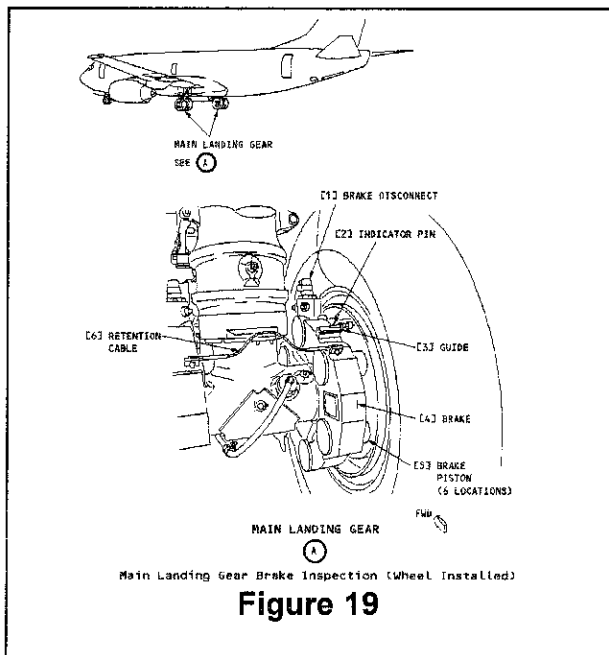
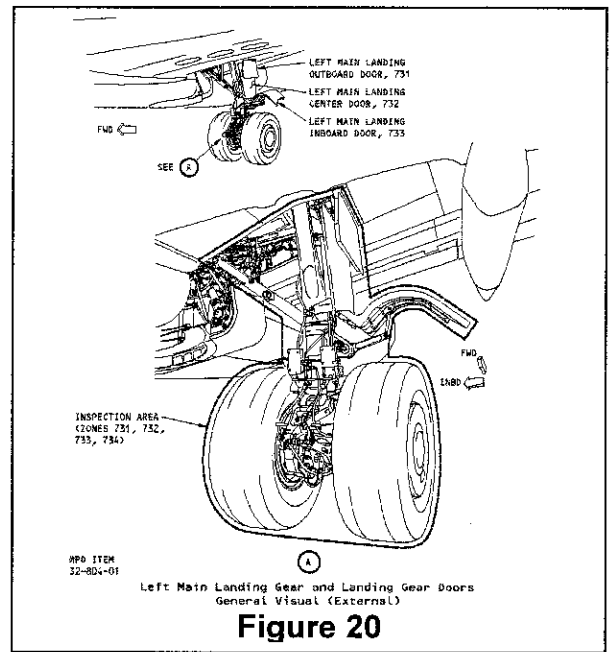
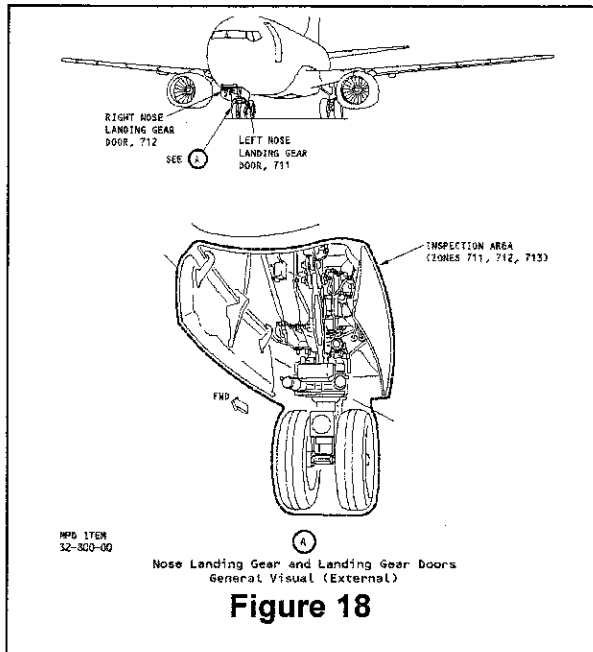


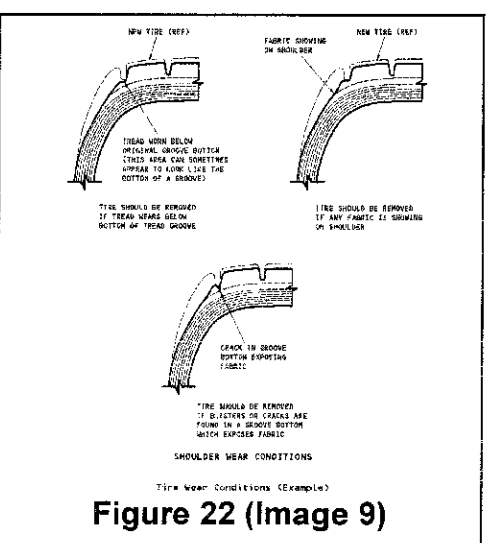
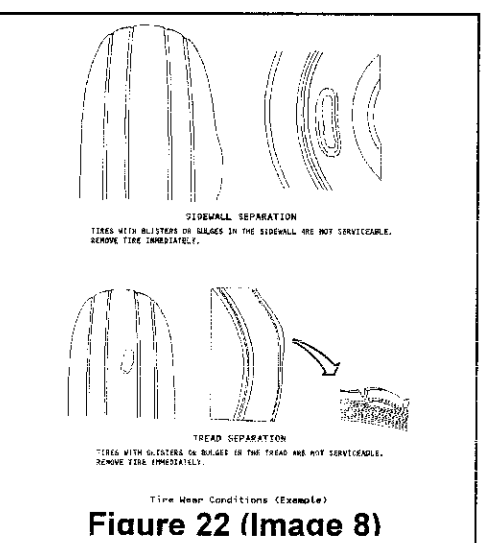
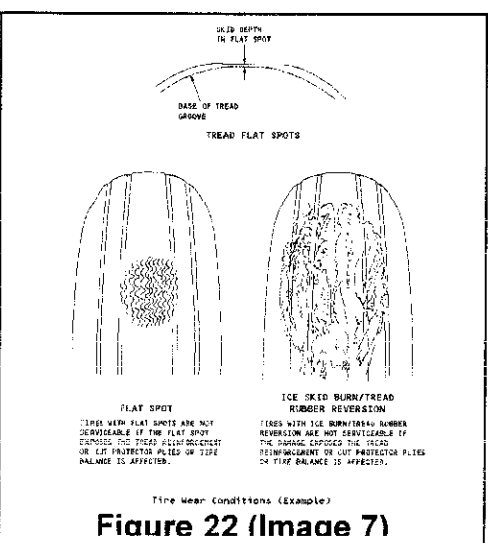
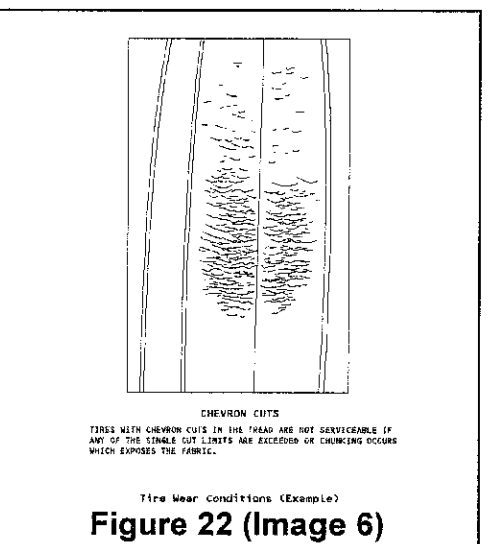
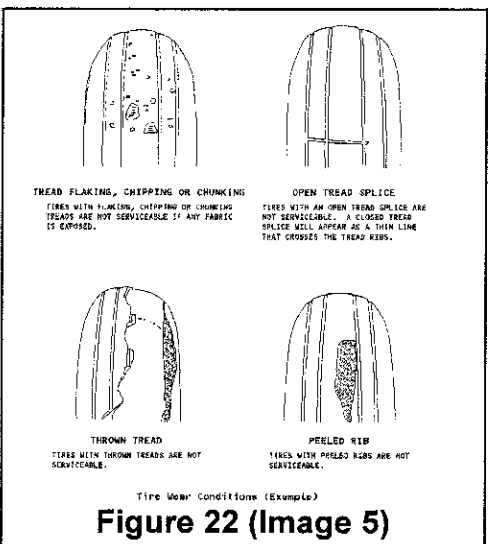
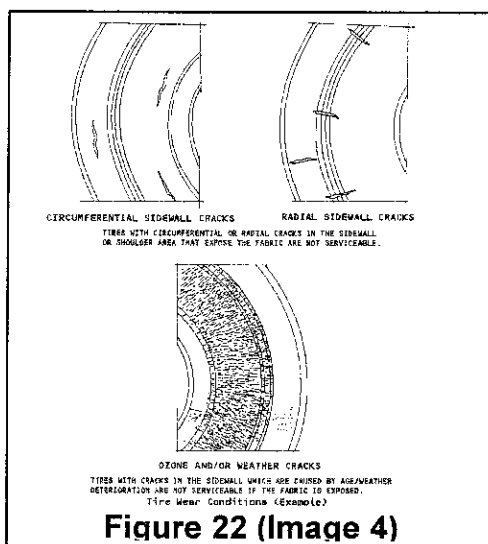
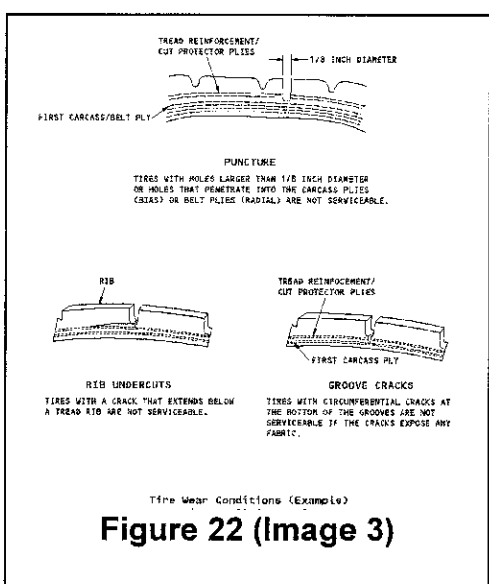
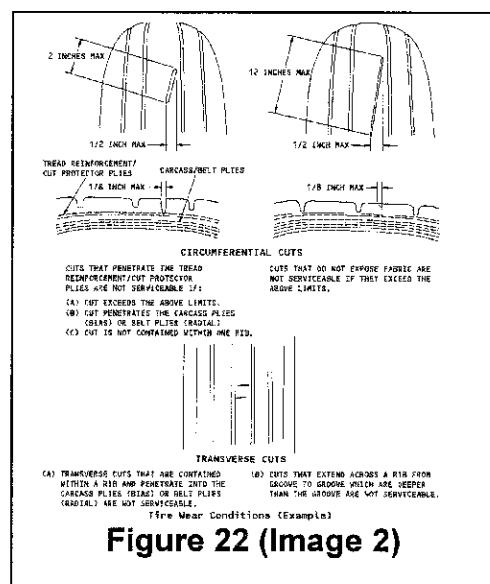
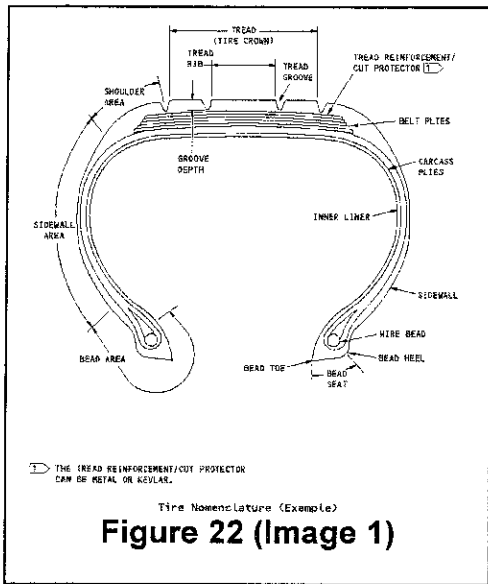












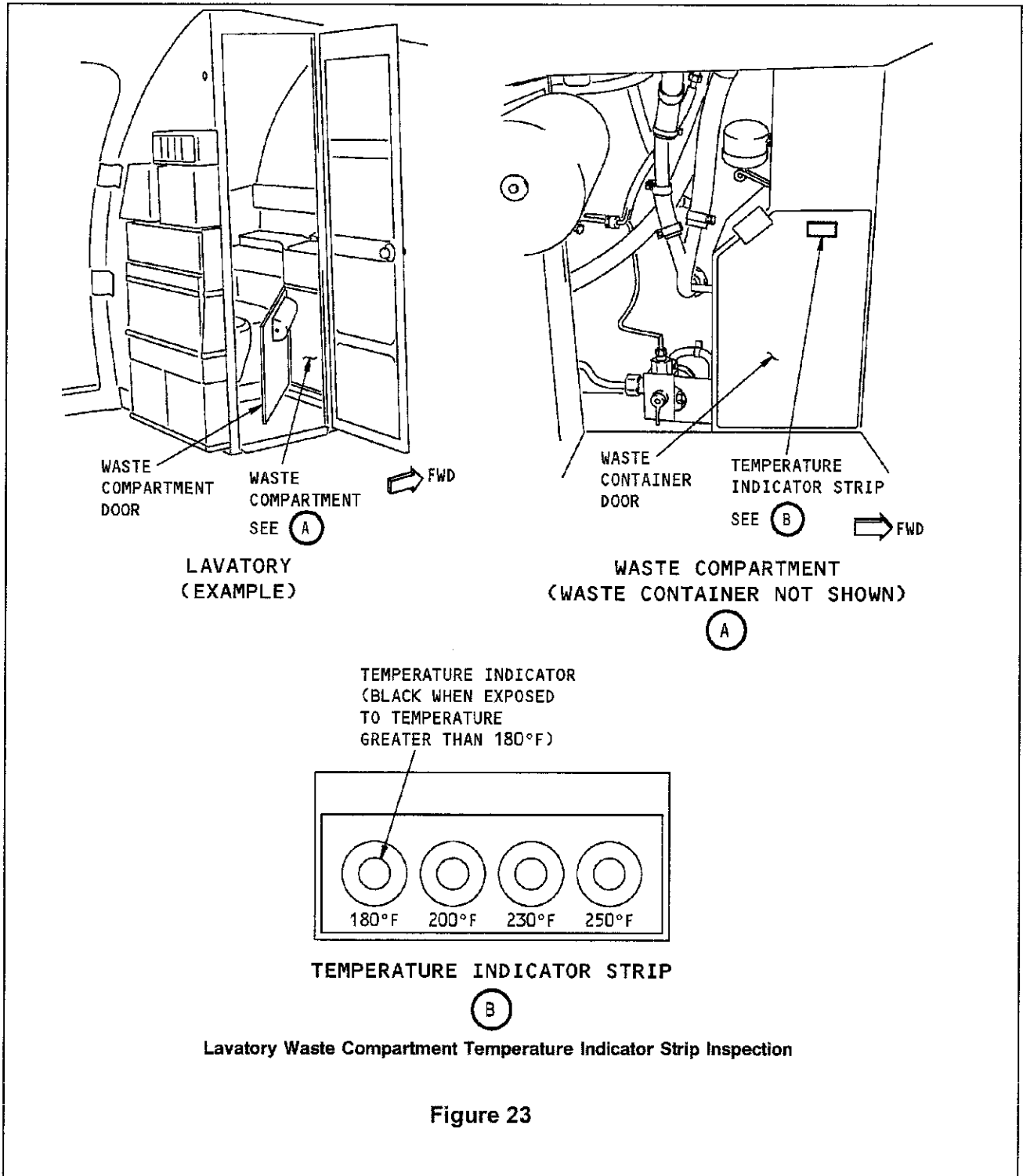


Figure 23